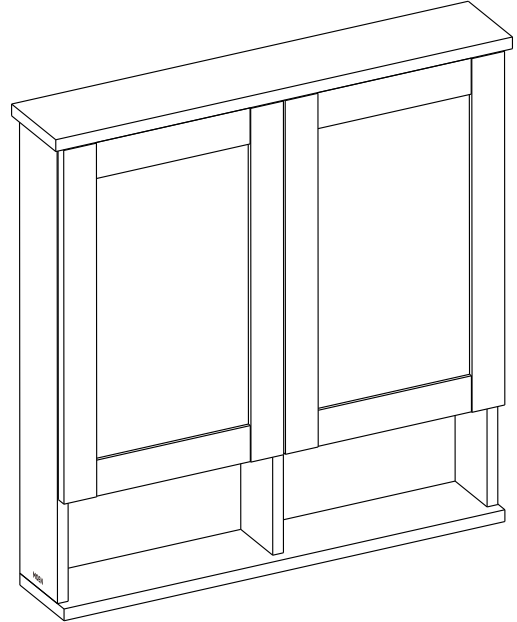


# MOEN® 摩恩®

## 镜柜 拉普兰系列 安装使用说明书

### Mirror Cabinet LAPLAND Series INSTALLATION INSTRUCTIONS



如需安装支持，配件丢失等，请联系MOEN。  
(中国) 400-630-8866  
www.moen.cn

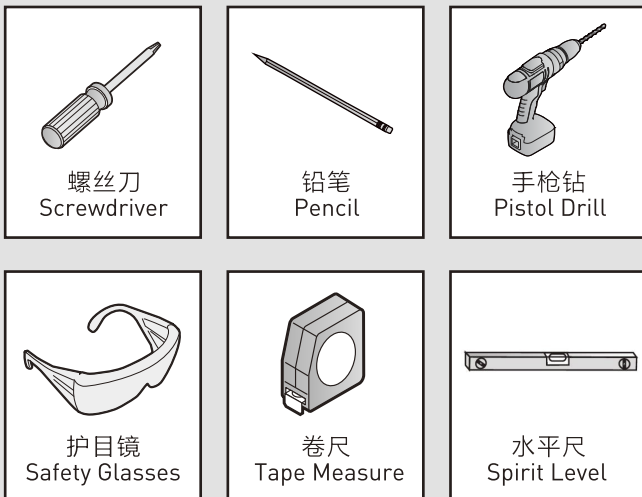
PLEASE CONTACT MOEN FIRST  
For Installation Help, Missing or Replacement  
Parts  
(China) 400-630-8866  
www.moen.cn

#### 推荐工具

为了安全和让安装和替换变得容易，Moen建议您使用以下工具：

#### HELPFUL TOOLS

For safety and ease of replacement, Moen recommends the use of these helpful tools.



图片仅供参考  
(款式因型号而异)

Image is for reference only  
(Style varies by model)

记录购买的型号：  
(保存安装说明书以备将来参考)

Record Purchased Model Number:  
(Save instruction sheet for future reference)

## 安装前注意事项

- 请仔细阅读本说明书，以便熟悉所需工具、物料、安装过程。请按照适用的章节来安装本产品，以免安装失当导致不必要的损失。除了正确的安装方法之外，请详阅所有操作及安全指引。
- 本说明书所载的一切资料，均以印刷时所有之最新产品情况为基础，MOEN保留对产品进行修改、改进的权力，技术参数如有更改，恕不另行通知。
- 在安装MOEN产品之前，请先确认所有必须的电气工作均已完成。并确认遵循制造商相关电动工具的安全的指令。
- 强烈建议在柜体安装前拆下抽屉，门和活动层板，使安装过程安全，具体步骤参考后续指导。
- 关闭供水。
- 管道安装必须遵循当地所有给排水、建筑或者其他的特别规定。管道安装人员必须具备相应资格。
- 安装之前，仔细检查产品是否有损伤。
- MOEN产品性能卓越，经久耐用。为保证产品品质，请按照此说明书中推荐的方法进行安装，启用，操作和维护。

## Precautions before Installation

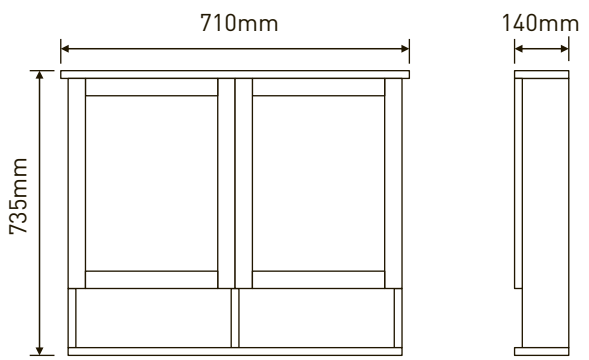
- Please read this manual carefully to familiarize yourself with the required tools, materials, and installation process. Please install this product in accordance with the applicable chapters to avoid unnecessary losses due to improper installation. In addition to the correct installation method, please read all operation and safety guidelines.
- All information contained in this manual is based on all the latest product conditions at the time of printing. MOEN reserves the right to modify and improve the product. Technical parameters are subject to change without notice.
- Before installing MOEN products, please confirm that all necessary electrical work has been completed. And confirm to follow the manufacturer's safety instructions related to power tools.
- It is strongly recommended to remove the drawers, doors and movable shelves before installing the cabinet to make the installation process safe. Refer to the follow-up instructions for specific steps.
- Shut off the water supply.
- Piping installation must comply with all local water supply and drainage, construction or other special regulations. The pipe installer must have the appropriate qualifications.
- Before installation, carefully check the product for damage.
- MOEN products are excellent in performance and durable. In order to ensure product quality, please follow the methods recommended in this manual for installation, activation, operation and maintenance.

## 订购信息 Ordering Information

BC1806-001BK 710mm镜柜（黑檀色）	BC1806-001BK 710mm Mirror Cabinet (Ebony)
BC1806-001WH 710mm镜柜（极地白）	BC1806-001WH 710mm Mirror Cabinet (Polar White)

## 产品尺寸 Rough-in Dimension

单位 Unit: mm

产品名称 Product Name	示意图 Diagram
710mm 镜柜 Mirror Cabinet	 <p>The diagram illustrates the rough-in dimensions for a 710mm mirror cabinet. It consists of two views: a front view on the left and a side view on the right. The front view shows a rectangular cabinet with a width of 710mm and a height of 735mm. The side view shows the cabinet's depth, which is 140mm. The cabinet has a double-door design with a central vertical divider and a base section.</p>

注：摩恩公司保留随时变更图中尺寸的权利，无需另行通知。

Note: MOEN reserves the right to change marked dimensions without prior notice.

## 镜柜安装

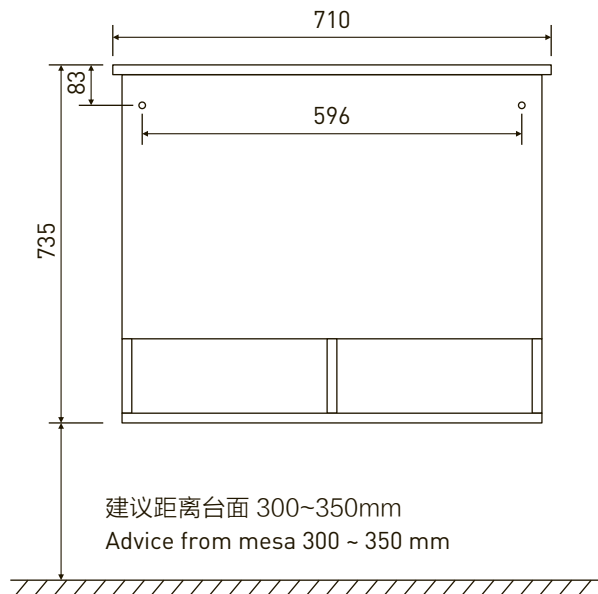
### 一、准备墙面

• 确保完工墙面水平和垂直方向的平直，确保与墙面垂直的地面水平。

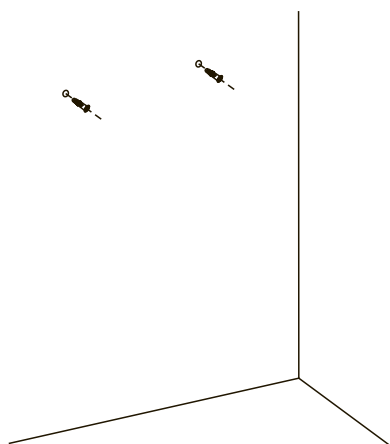
**注：**安装之前，请确认在墙面需要固定挂柜的位置，是否为实心混凝土砖或者有不适宜固定挂柜的情况；在墙体使用空心砖的情况下，请确认处理后的墙体可以解决挂重问题，使膨胀螺栓能够牢固地固定在基层墙体上。

### 二、安装镜柜

• 确认镜柜的高度及两个挂片的间距，用铅笔在墙上做记号。



• 然后通过预留孔位置在墙上打孔，使用膨胀管推荐的钻孔尺寸。  
• 将膨胀管敲入墙上的安装孔。



## Install Mirror Cabinet

### Prepare Wall

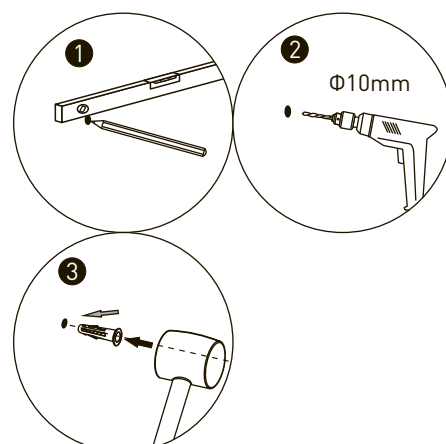
• Make sure that the finished wall is horizontal and straight in the vertical direction, and ensure that the ground perpendicular to the wall is level.

**Note:** Before installation, please make sure that the position of the wall cabinet needs to be fixed, whether it is solid concrete brick or is not suitable for fixing the cabinet; In the case of using hollow bricks on the wall, please confirm that the treated wall can solve the problem, so that the expansion bolts can be firmly fixed on the base wall.

### Install Mirror Cabinet

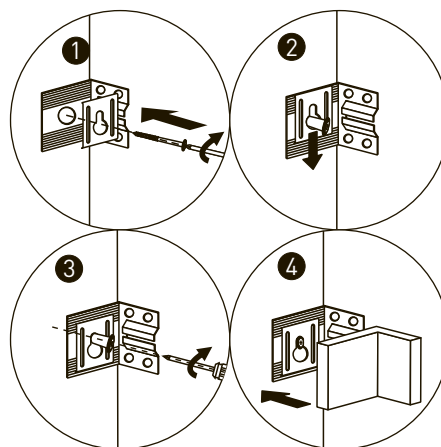
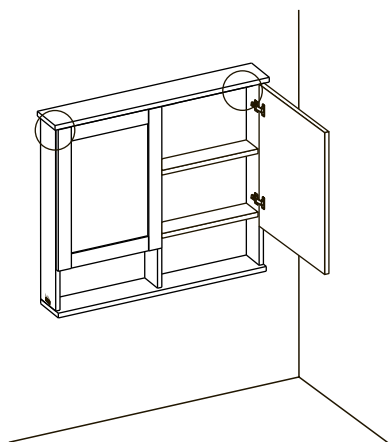
• Confirm the height of the lens ark and two bolt spacing, use a pencil to mark on the wall.

• Through the hole location holes on the wall, then use expansion pipe the recommended hole size.  
• The expansion pipe type mounting holes on the wall.



- 将膨胀螺丝穿过镜柜角码的上墙安装孔，拧紧膨胀螺丝，盖上装饰盖。确认将镜柜牢固的固定在墙体上。

- The screw mounting holes through the lens ark, tighten bolts and cover the decorative cover. Confirm the lens ark firmly fixed on the wall.

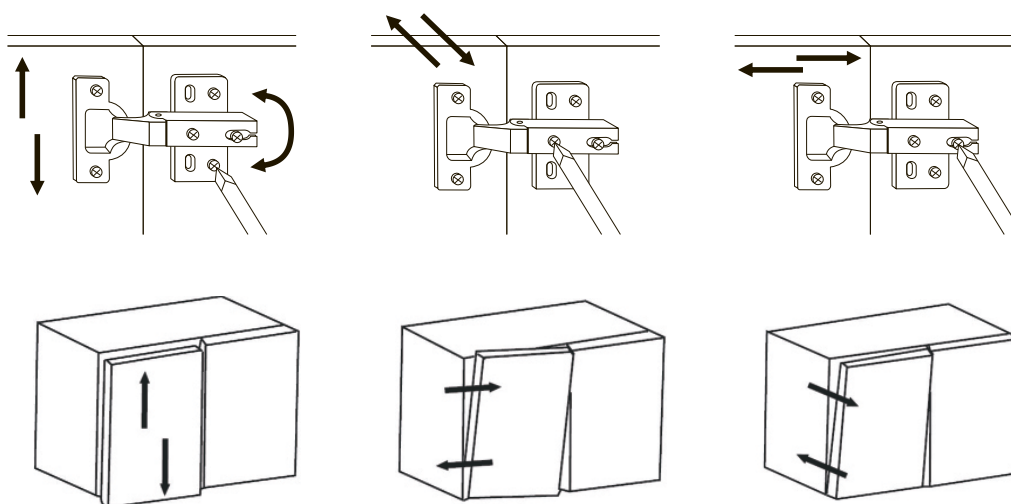


## 门铰链的拆卸、安装和调节

## Remove, Install and Adjust Hinge

按照下图所示三向调节所有的门板铰链，使门板水平整齐。门板与门板间隙均匀，门板与柜体之间严丝合缝。

Adjust all door hinges in three directions as shown in the figure below to make the door panels level and neat. The gap between the door panel and the door panel is even, and the door panel and the cabinet body are tightly connected.



## 镜柜的保养

### 一、镜柜使用环境要求

- **干湿分离的卫生间：**淋浴间和其它区域相分隔，淋浴的水不会四处飞溅，是配置浴室柜的最佳环境。
- **非干湿分区的卫生间：**浴室柜较易被溅水或受潮，其柜体基材可能会发霉膨胀，从而影响使用寿命。

#### 日常使用注意事项：

- a. 保持卫生间的空气流通及地面的干燥。
- b. 不允许水溅落到浴室柜柜体上。如果不小心沾上水，要及时用干抹布擦干，保持柜体干爽洁净。

### 二、日常清洁与保养

- 切勿让儿童爬上浴室柜或承受重压，以防发生危险或造成损坏。
- 非使用时不允许被水冲洗或水溅落到柜体上。若有水，请及时用干布擦干（包括洗浴后的冷凝水）。
- 用软布定期清洁、擦拭。
- 大理石台面如有划伤，可涂上牙膏，用布擦拭打磨。龙头、拉手等五金配件，一段时间后会水渍，可用温和的清洁剂或皂液进行清洁。
- 照明灯等电器连接要确保绝缘、防潮；镜面最好用鹿皮经常擦拭，可以保障使用质量经久如一。
- 卫生间请保持良好的通风状态。有条件的可以干、湿分离，尽量保持浴室空气畅通，养成开窗开门的习惯。

## Mirror Cabinet Maintenance

### Use Environmental Requirements

- The toilet is separating dry space from moist space: The shower room is separated from other areas. It is the best environment for configuring bathroom cabinet.
- The toilet is not separating dry space from moist space: The bathroom cabinet is likely to be splashed or damp, and the base material of the cabinet body may become moldy and swell, which will affect the service life.

#### Daily Usage Considerations:

- a. Keep the air circulation in the toilet and dry the floor.
- b. Do not allow water to splash on the cabinet body. If you accidentally get water, wipe it with a dry cloth in time to keep the cabinet dry and clean.

### Cleaning and Maintenance

- Do not allow children to climb on the bathroom cabinet or bear heavy pressure to prevent danger or damage.
- Do not rinse with water or be splashed when it is not in use. If there is water, please wipe it dry with a dry cloth in time (including the condensed water after bathing).
- Clean and wipe regularly with a soft cloth.
- If the marble countertop is scratched, you can apply toothpaste and wipe it with a cloth. Hardware accessories such as faucets and handles will appear water stains after a period of time, you can clean them with mild detergent or soap.
- The electrical connection of lighting lamps and other electrical appliances should be insulated and moisture-proof; the mirror surface is best to be wiped with deerskin frequently to ensure the consistent quality of use.
- Please keep the bathroom well ventilated, and separate dry and wet if possible, try to keep the bathroom air unobstructed, and windows and doors open.

## 产品售后保修条款

本产品是在高质量标准及生产工艺下制造的，本公司承诺为消费者购买的产品提供有期限免费保修及终身维修服务。

XXX免费保修期为X年。均自消费者购买日（以本产品分销商开具的发票或收据上载明日期为准）起计。

免费保修范围为产品及产品配件（落水以及溢水等）由于材质及工艺原因而造成的故障或损坏。免费保修期内，我们将无偿为您提供维修服务及更换发生故障的产品或产品配件。本公司的售后服务责任仅限于对故障产品的修理，而不延及您因产品故障而发生的其他损失，法律另有规定的除外。

您需了解：产品外观碰伤、刻划痕迹，以及滥用及不正当保养所导致的故障或损坏，均不属于免费保修范围。即使在免费保修期内，属下列（1）-（5）情况之一的，需酌情收取修理费用：

1. 不能出示相符的保修卡和有效购买凭证情况的；
2. 未按使用说明告知的使用方法和注意事项造成的故障；
3. 自行拆卸、维修、改装所造成的故障和损坏；
4. 由于不可抗力等外部原因引起的故障和损坏；
5. 由于运输、搬卸、挤压等造成的损坏。

对于保修期外或不在保修范围内的产品，如需维修，本公司将酌情收取上门费、人工费及材料费。

本保修条款仅对原始消费者和酒店行业的购买者有效，并不适用于本产品工业、商业、贸易和非酒店行业的使用。

如对本保修条款内容有任何疑问，请拨打400 630 8866 咨询热线，或向当地分销商咨询。对于中国大陆以外的市场，此产品的保修及保障服务详情请咨询当地经销商。

本公司对本产品保修拥有最终解释权。

## PRODUCT LIMITED WARRANTY

We offer limited warranty and lifetime maintenance for the products, which are all manufactured with high standards of workmanship.

The period of warranty shall start from the date of purchase of the product (according to the invoice or receipt issued by the company distributors) and shall cover a period of the following: the warranty period for XXX is X years.

This warranty is your coverage against material and workmanship malfunction or defects in the products or components (pipe kit etc.). During the warranty period, we offer free maintenance and changing of malfunctioned products or product components. The company's after sales service liability is limited to the maintenance of faulty items and does not cover your other losses caused by product malfunction, except for otherwise stipulated by law. Cosmetic damages (scratches, dents, etc.) and malfunction or defects caused by abuse or improper maintenance is not covered by this warranty. Although the warranty period remains valid, in case of the following conditions (1) - (5), the maintenance cost (material cost and labor cost) shall still be charged as the case may be:

1. Corresponding warranty card and valid invoice cannot be presented;
2. Faults were caused by the incompliance with the instructions and precautions provided in the user's manual;
3. Damages and faults were caused by self-actuated dismantling, repair and refit;
4. Faults and damages were caused by external factors such as force majeure;
5. Damages were caused by transportation, unloading and extrusion, etc.

This warranty is valid for the original consumers only (including hotel use), and excludes industrial and commercial use of the product (except for hotel use). This card is only responsible for product maintenance rather than any other liabilities.

In the event that the product requires maintenance but exceeds the warranty period, or that the product is not covered by this warranty, labor cost and material cost shall be charged as the case may be.

Please call 400-630-8866 or contact local dealer for any question. For markets exclude Chinese mainland, the terms and conditions of warranty shall differ between product categories and countries. Please refer to warranty stated by local distribution.

The company shall have the final interpretation of the product warranties.

# MOEN® 摩恩®

## 合格证 Compliance Certification

产品名称 镜柜  
Product Name Mirror Cabinet

检验员  
Inspector

生产日期  
Date of Production

富俊汇赢科技（上海）有限公司  
中国（上海）自由贸易试验区新杨公路  
1800弄1号4幢207室  
邮编：201413

Fortune Brands Innovations (Shanghai) Co., Ltd  
Room 207, Building 4, No. 1, Lane 1800, Xinyang Highway,  
China (Shanghai) Pilot Free Trade Zone



摩恩服务小程序  
Moen service applet

©2025 Fortune Brands Innovations Incorporated