

DESCRIPTION

- Metal construction with various finishes identified by suffix
- G1/2 inlet connections
- Accessories are various by model. See the table below for details

OPERATION

- Round style handle with a knob
- Temperature lever operates through a 230 degree arc with maximum cold at full clockwise rotation and maximum hot at full counterclockwise rotation
- Pull out Safety stop design preset temperature at 38°C
- Safety stop override allows maximum temperature at 49°C
- Factory established temperature range from 20°C to 49°C

FLOW

- When the temperature of mixed water at $(38\pm 2)^\circ\text{C}$,
- Flowrate at 0.1MPa is 6.0L/min minimum in tub spout,
- about 4.0L/min to 9.0L/min with hose and handheld shower

CARTRIDGE

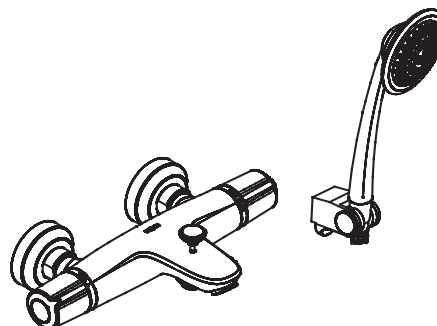
- 143910 thermostatic cartridge design with Nonmetallic / non-ferrous material

STANDARD

- Designed to meet QB/T 2806 standard

WARRANTY

- 5 years limited warranty against leaks and drips

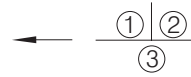
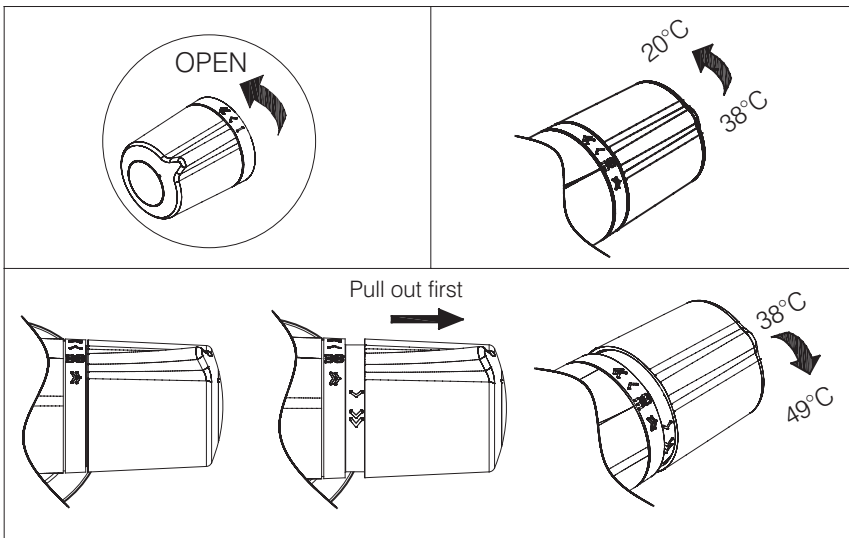
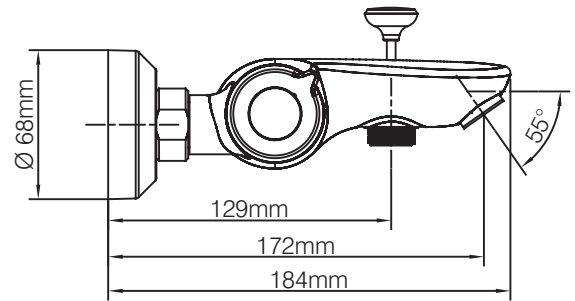
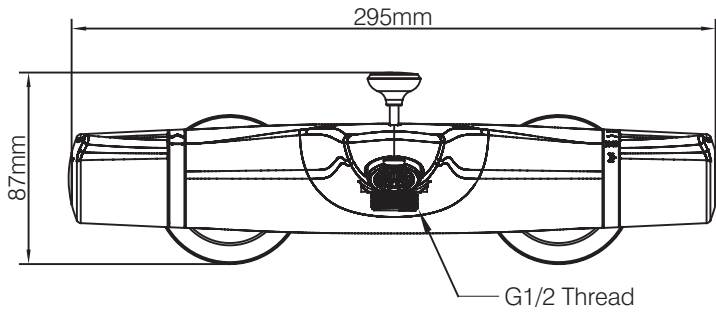


Two-Handle Wall Mount Tub Shower

MODELS: 58332 Series

SKU	Handheld Shower	Function	Hose	Wall Bracket
58332	√	5F	1750mm	√
58332SRN	√	5F	1500mm	√
58332BL	√	5F	1500mm	√
58332MBL	×	N/A	1500mm	√

CRITICAL DIMENSIONS DO NOT SCALE



Usage of controlling water flow

1. Turn the left handle anticlockwise to open water flow; Turn the left handle clockwise to close water flow;
2. Turn the handle up, water temperature will turn to 20°C from 38°C;
3. Pull out right side handle first and turn it down, water temperature will turn to 49°C from 38°C.

CRITICAL DIMENSIONS DO NOT SCALE