



Specifications

DESCRIPTION

- Metal construction with chrome finish
- G1/2 connections
- With side bracket to holding head-held shower
- With hand-held shower, wall bracket and 1.75m shower hose
- 1190mm shower bar direct connect to valve design

OPERATION

- Knob style handle
- Rotate temperature handle in anticlockwise/clockwise 90 degree to control water temperature
- Rotate Diverter handle to transfer function in every 90 degree: Spout, Shower head, Handheld shower, Off.

FLOW

- Flowrate at 0.3Mpa for faucet outlet: about 18.5L/min in spout , 9.2L/min in showerhead , 8.5L/min in handheld shower

CARTRIDGE

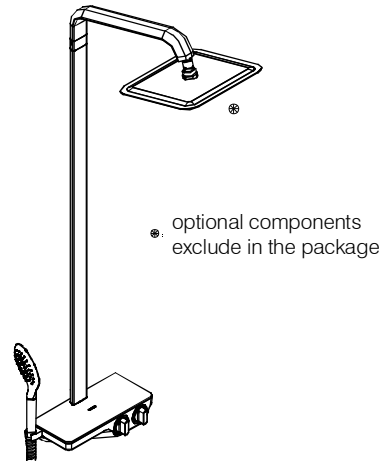
- Ceramic 35mm cartridge, Ceramic 35mm diverter

STANDARD

- Designed to meet GB 18145

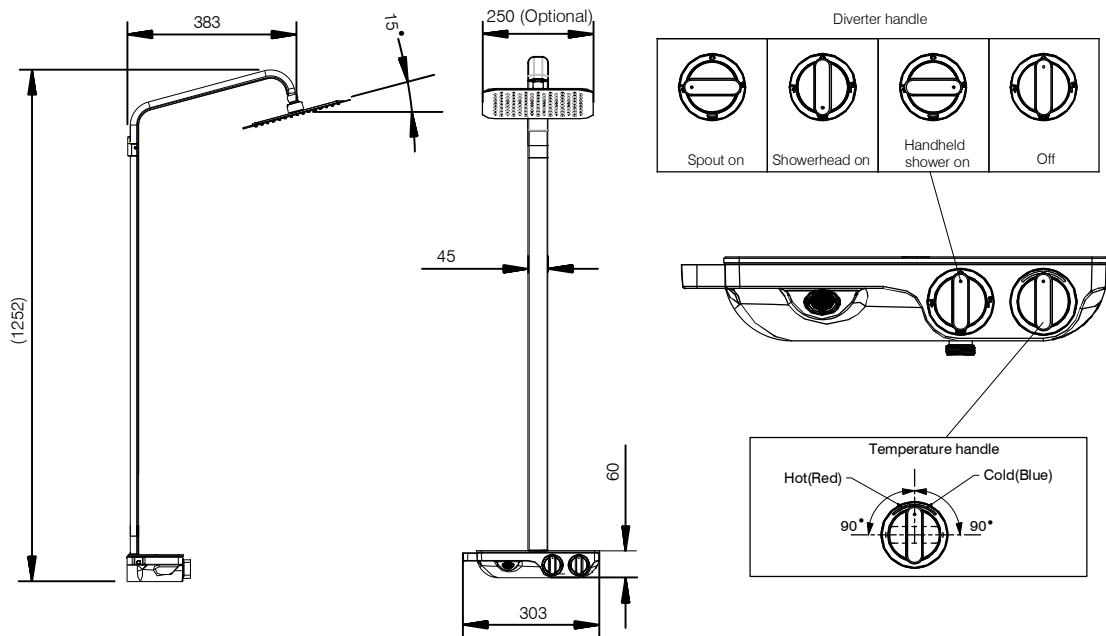
WARRANTY

- 5 years limited warranty against leaks and drips



TORONTO

Models: 70333 Easy In wall tub/shower faucet
70333B Bar Assembly



CRITICAL DIMENSION

(DO NOT SCALE)

Rev 10/15/2016