

### DESCRIPTION

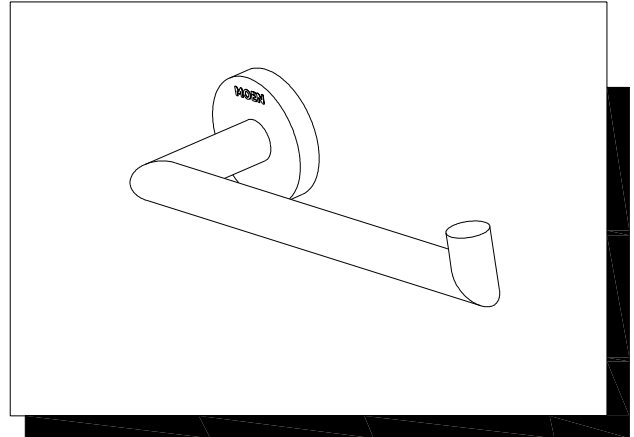
- Metal construction with Polished and Brushed finish

### STANDARD

- Comply with GB1560-2006
- Polished and Brushed finish pass AASS 24H grade 10.

### WARRANTY

- 5 years limited warranty except artificial damage and chemicals erosion



NOTE:ALL DIMENSIONS ARE MM.

BELLA SERIES TOWEL RING  
Models:ACC1904 / ACC1904SLP

