

DESCRIPTION

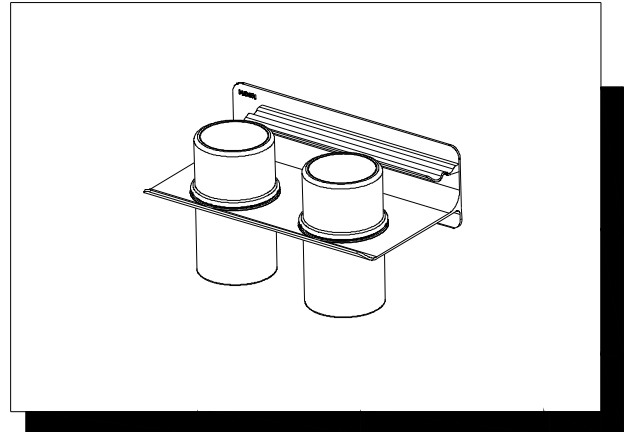
- Metal construction with Anodizing finish

STANDARD

- Comply with GB1560-2017
- Anodizing finish pass AASS 24H grade 10.

WARRANTY

- 1 year limited warranty except artificial damage and chemicals erosion



NOTE: ALL DIMENSIONS ARE MM.

DOUBLE TUMBLER HOLDER Models: ACC2708SERIES

