

DESCRIPTION

- Soft modern style
- Metal construction:
SUS304 Brushed
- Applied with Air-in Technology
- G1/2 connections

OPERATION

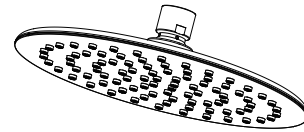
- Adjustable showering angle

STANDARD

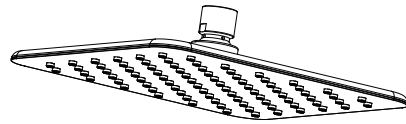
- Designed to meet GB/T 23447-2009

WARRANTY

- 1 year limited warranty against leaks and drips

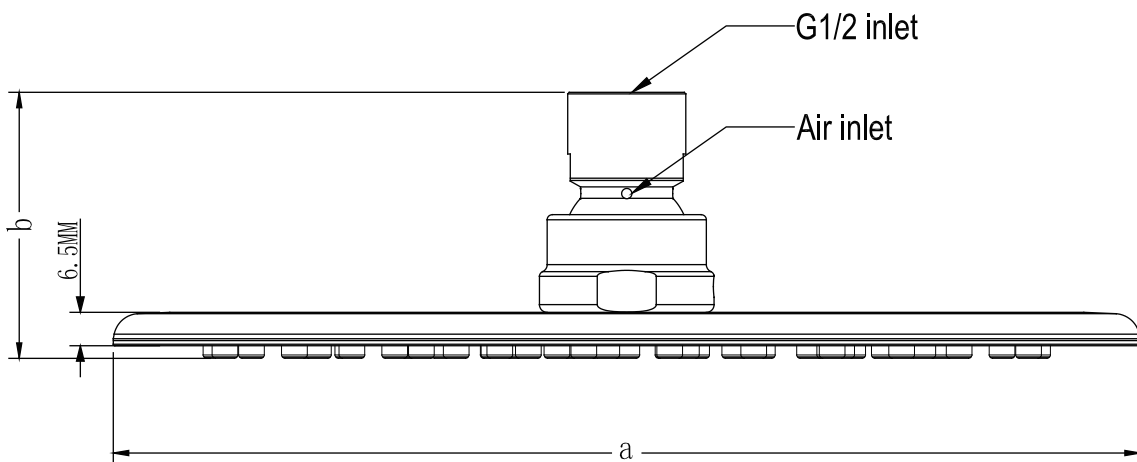


Round Series
Models: M22068SL M22071SL



Square series
Models: M22069SL M22072SL

Cynthia Series Air-in Showerhead



Models	Demension a (mm)	Demension b (mm)	Quantity of nozzles (pcs)	Inner Diameter of nozzles (mm)
M22068SL	Ø200	5.14	90	Ø1.2
M22069SL	200x200	5.14	84	Ø1.2
M22071SL	Ø250	5.14	90	Ø1.2
M22072SL	250x250	5.14	112	Ø1.2

CRITICAL DIMENSION
(DO NOT SCALE)