

DESCRIPTION

- Metal construction with chrome plated finish

STANDARD

- Comply with GB/T 26712-2011
- Chrome plated finish pass ASS 24H grade 10.

FLOW

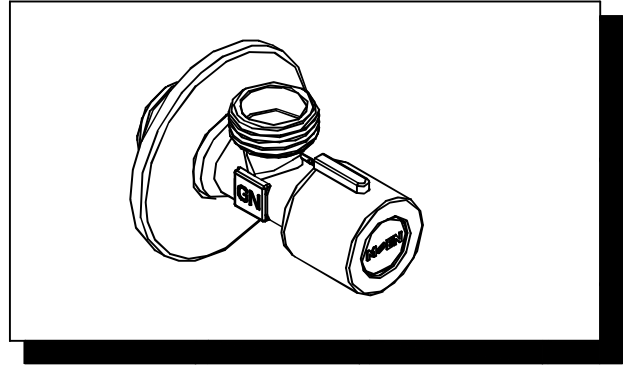
- Flowrate at 0.3Mpa about 27.1L/min

OPERATION

- ABS knob style handle

WARRANTY

- 1 year limited warranty except artificial damage and chemical erosion



Angle Valves

Models: GN101329/GN101331

