

## DESCRIPTION

- Metal construction with a chrome finish
- G 1/2 inlet connections
- Include 600mm flexible inlet hoses

## OPERATION

- Lever style handle
- Pull-on / Push-off
- Temperature controlled through 100 degree arc of handle travel

## FLOW

- Flow is limited to 8.3L/min at 0.4Mpa with aerator
- Flowrate is about 6.52L/min at 0.3Mpa with aerator
- Flowrate is about 4.59L/min at 0.1Mpa with aerator

## CARTRIDGE

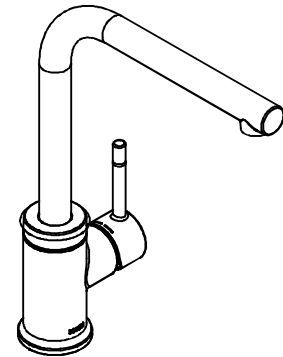
- MOEN Duralast cartridge

## STANDARD

- Designed to meet GB 18145

## WARRANTY

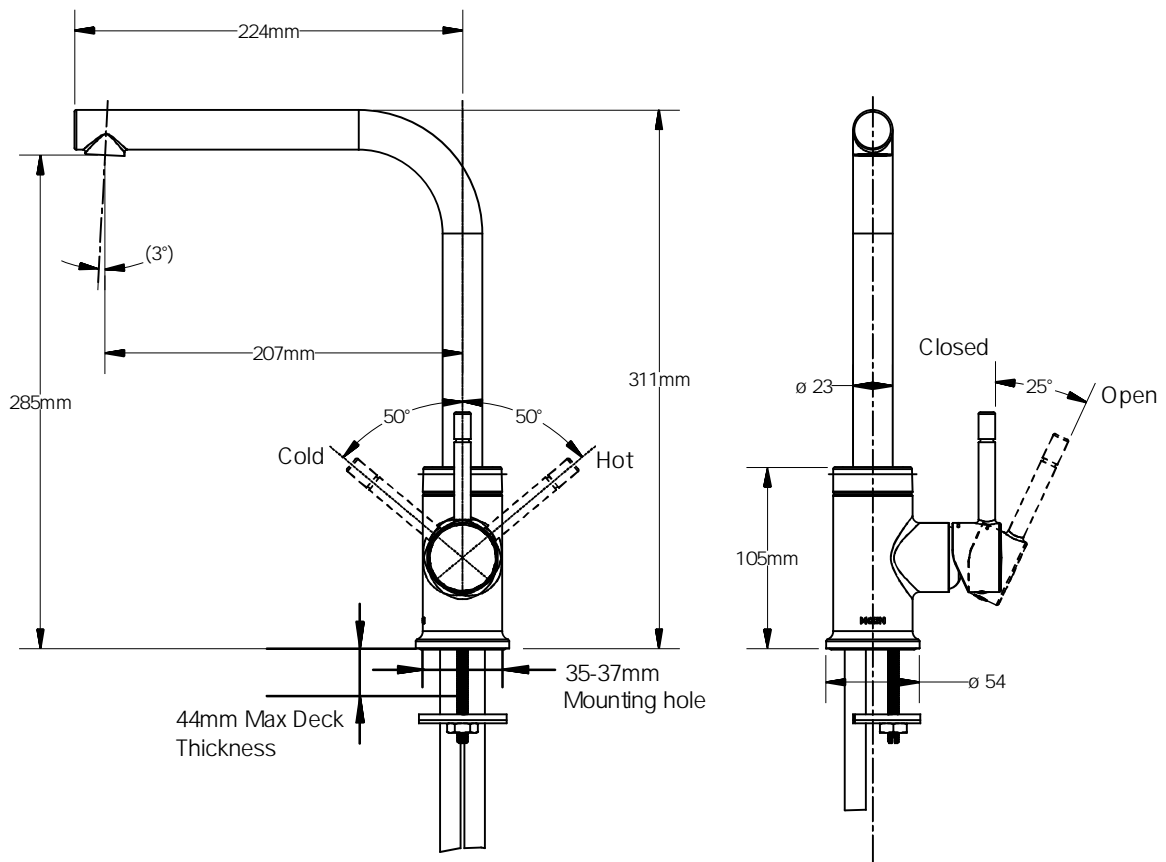
- 5 years limited warranty against leaks and drips



**CHARMANT**  
High Arc Kitchen Faucet

Models: GN60400 Serie

NOTE: SEE REVERSE SIDE FOR ILLUSTRATED PARTS



**CRITICAL DIMENSION**  
(DO NOT SCALE)