

MOEN® 摩恩

Specifications

Main Features:

One touch cleansing; Wand nozzle self-clean; Seat temperature adjustment; Auto deodorization; Night light; Remote control; Sensor open/close; Auto flush;

Dimensions: 678*443*525

Water Efficiency: Grade 3 ($\leq 5.3L$)

Flush Type: Jet siphon

Pit Distance: 305mm

Working Water Pressure: 0.14MPa-0.75MPa

Input: 220V AC 50HZ

Rated Power: 1200W

Anti-electric shock: TYPE I

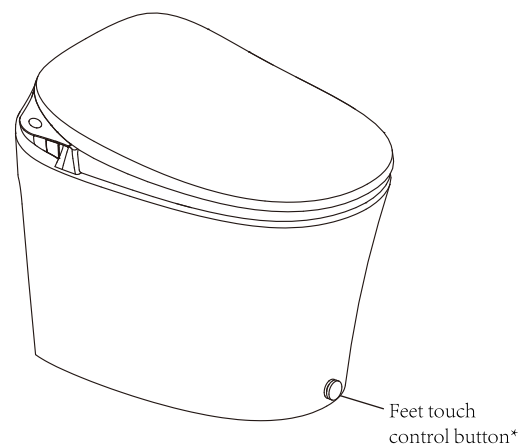
Waterproof Grade: IPX4

Safety Devices: Butterfly thermostat; thermal fuse; flow sensor; Thermal fuse; bimetal thermal control device; air isolation

Standard:

GB/T 34549-2017 《Sanitary ware-Smart ware》

GB25502-2017 《Minimum allowable values of water efficiency and water efficiency grades for water closets》

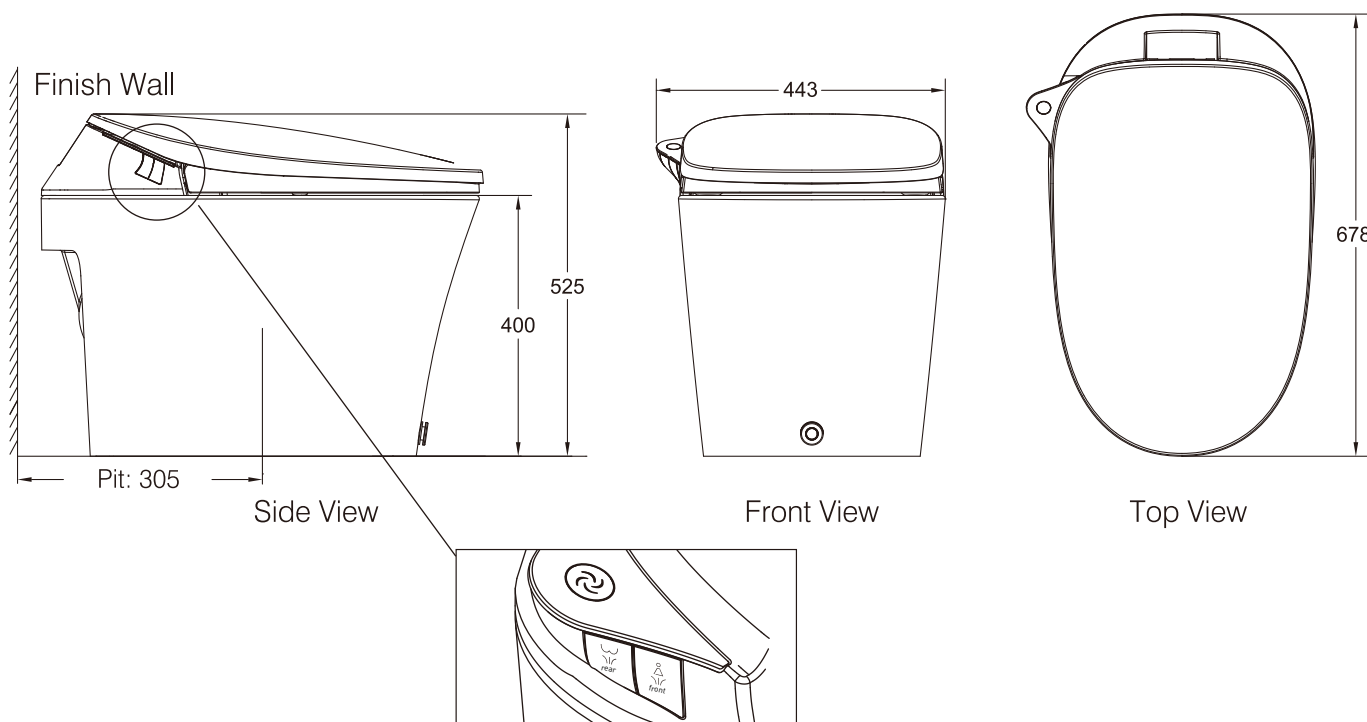


Walden Series
Smart Toilet

Models:

HKSW1291C no feet control
HKSW1292C no feet control
HKSW1293C no feet control
HKSW1294C
HKSW1295C
HKSW1296C

Unit: mm



*MOEN reserves the right to change marked dimensions without prior notice.

CRITICAL DIMENSIONS DO NOT SCALE

Rated voltage		220 V
Rated frequency		50 Hz
Rated power consumption		1200W(inlet water temp.15 C , outlet water temp. 40 C , dynamic is 700ml/min)
Maximum power consumption		1500W(inlet water temp.5 C , outlet water temp. 39 C , dynamic is 630ml/min)
Maximum power consumption		4 C ~40 C
Water supply temperature		4 C ~35 C
Water supply Connector		DN15(G1/2")
Water supply pressure	Minimum Pressure	0.14MPa and 18L/min Min.
	Maximum Pressure	0.75MPa (dynamic pressure)
Toilet	Flush type	Jet siphon
	Pit Distance	305mm/400mm
Cleansing	Heating type	Instant heating
	Rear cleansing spray volume	Approx.0.5~0.7L/min (4 levels) @0.2MPa
	Front cleansing spray volume	Approx.0.5~0.7L/min (4 levels) @0.2MPa
	water temperature	Off/approx. 30 C ~40 C (4 levels)
Safety device		Butterfly thermostat, thermal fuse, flow sensor
Warm air dryer	Air temperature	Off/approx.35 C ~55 C (4 levels)
	Air flow volume	Approx.4m/s
	Safety device	Thermal fuse, bimetal thermal control device
Seate	Seat temperature	Off/Approx. 28 C ~40 C (4 levels)
	Safety device	Temperature fuse
Remote control	Dimension	L122mm×W122mm×H13.5mm
	Charge input	DC5V 500mA(self-prepare)
Waterproof grade		IPX4
Length of power cord		Approx.1.5m
Product dimension		L678mm×W443mm×h525mm

CRITICAL DIMENSIONS DO NOT SCALE

Different model with different function

Group	Model Functions	HKSW1296C Space Gray	HKSW1295C Space Gray	HKSW1294C Gold	HKSW1293C Space Gray	HKSW1292C Gold	HKSW1291C Silver
Remote	Remote control	●	●	●	●	●	●
Cleansing	Limitless cleansing	●	●	●	●	●	●
	Rear cleansing	●	●	●	●	●	●
	Front cleansing	●	●	●	●	●	●
	Air-in cleansing	●	●	●	●	●	●
	Auto cleansing	●	●	●	●	●	●
	Oscillating	●	●	●	●	●	●
	Warm/Cold cleansing	●	●	●	●	●	●
	Water pressure adjustable	●	●	●	●	●	●
	Water Temp.adjustable	●	●	●	●	●	●
	Nozzle position adjustable	●	●	●	●	●	●
	Nozzle self-clean	●	●	●	●	●	●
	Nozzle cleansing	●	●	●	●	●	●
	Comfortable	Heated seat	●	●	●	●	●
Warm air drying		●	●	●	●	●	●
Laxative		●	●	●	●	●	●
Slow-close Seat		●	●	●	●	●	●
seat temp.adjustable		●	●	●	●	●	●
Air temp.adjustable		●	●	●	●	●	●
Convenience	Night light	●	●	●	●	●	●
	Instant heat	●	●	●	●	●	●
	Energy saver	●	●	●	●	●	●
	Black-out flush	●	●	●	●	●	●
	Remote control	●	●	●	●	●	●
	Auto flush	●	●	●	●	●	●
	Flush during air drying	●	●	●	●	●	●
	One touch Button	●	●	●	●	●	●
	Body sensor open/close	●	—	—	—	—	—
	Feet touch open cover	●	●	●	—	—	—
	Feet touch open seat	●	●	●	—	—	—
	feet touch flush	●	●	●	—	—	—
	Seat detector	●	●	●	●	●	●
Auto wet Ceramic ring	●	●	●	●	●	●	
Safety and Eco	Water purifying	●	●	●	●	●	●
	Deodorizer	●	●	●	●	●	●
	Nozzle UV sterilization	●	●	●	●	●	●
	Air isolation	●	●	●	●	●	●
	Anit-backflow	●	●	●	●	●	●
	Travel mode	●	●	●	●	●	●
	Self-clean glaze	●	●	●	●	●	●
	Side button control	●	●	●	●	●	●
	Octuple Saftey	●	●	●	●	●	●
Antimicrobial seat	●	●	●	●	●	●	

Note: ● With this function; — Without this function;

CRITICAL DIMENSIONS DO NOT SCALE