

DESCRIPTION

- Single Function With Simple Flat Modern Style
- ABS Shell With Brass alloy Ball
- Applied with Air-in Technology
- G1/2 Connections

OPERATION

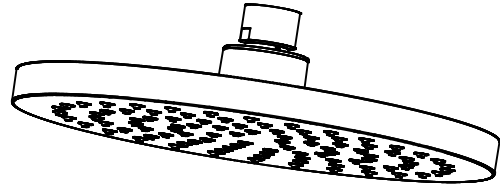
- Adjustable showering angle

STANDARD

- Designed to meet GB/T 23447-2009
- Passed ASST24hrs Grade-10

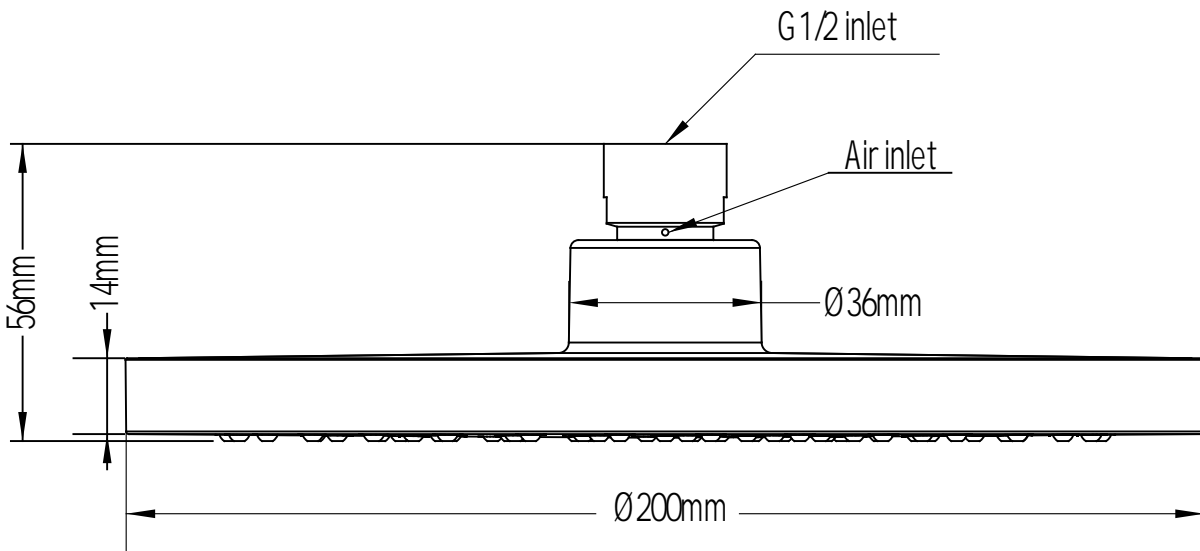
WARRANTY

- 1 year limited warranty against leaks and drips



Single Function Air-in Showerhead

Models	Finish
M22021A	Chrome
M22021P	Polished Brass
M22021ORB	Oil Rubbed Bronze
M22021SRN	Spot Resistant Stainless
M22021ABL	Matte Black



CRITICAL DIMENSION

(DO NOT SCALE)