

MOEN® 摩恩

Specifications

DESCRIPTION

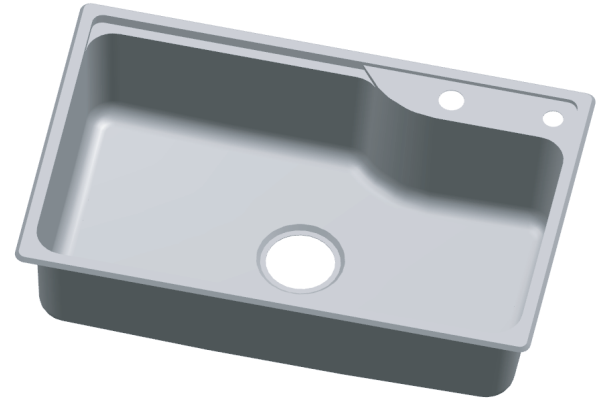
- Stainless steel single bowl sink
- SS.304 construction, thickness , 0.8mm
- Top mounting, mounting hardware included
cutout size : 688mmX438mmXR12mm
- Sounds Shield system

STANDARD

- Comply with GB/T 38474-2020

WARRANTY

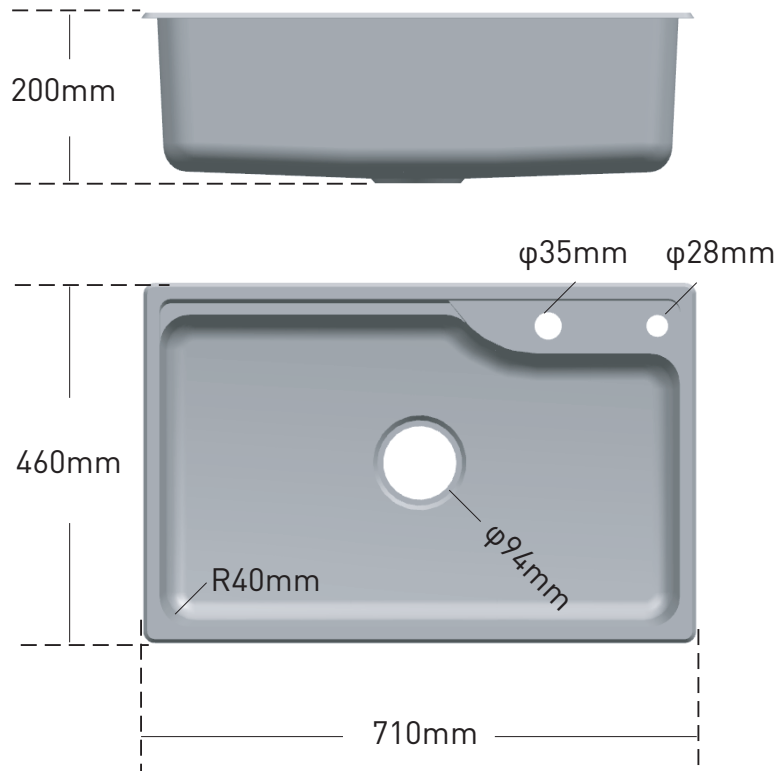
- 5 years limited warranty against leaks and drips
- 1 year limited warranty for sink accessories



Stainless Steel Single Bowl Sink

Models: SK62511 series

SKU No	Drainer	Pipe	Hole ϕ 28	Package	Moen Color
SK62512D	SB50	SB033	Yes	Retail Single	Satin
SK62512A	SB10	SB012R	Yes	Retail Single	Satin
SK62511A	SB10	SB012R	Yes	Retail Single	Brush
SK62511D	SB50	SB033	Yes	Retail Single	Brush
SK62511	N/A	N/A	Yes	E-Commerce Single	Brush
SK62511SLHR	SB10	SB012R	Yes	Retail Single	Brush
SKP62511	N/A	N/A	Yes	Wholesale 6 Piece	Brush



CRITICAL DIMENSIONS DO NOT SCALE