

MOEN® 摩恩

Specifications

DESCRIPTION

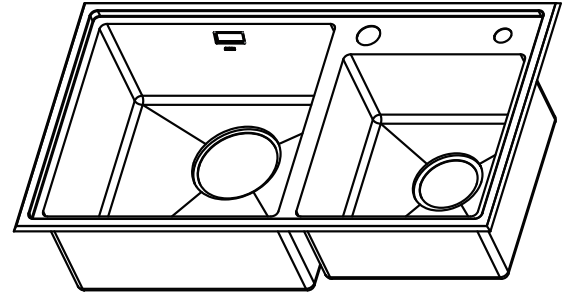
- Stainless steel double bowl sink
- SS.304 construction, thickness: Bowl:1.03mm, Frame:1.32mm
- Top mounting, mounting hardware included
cutout size : 780x430xR10mm
- Sounds Shield system

STANDARD

- Comply with GB/T 38474-2020

WARRANTY

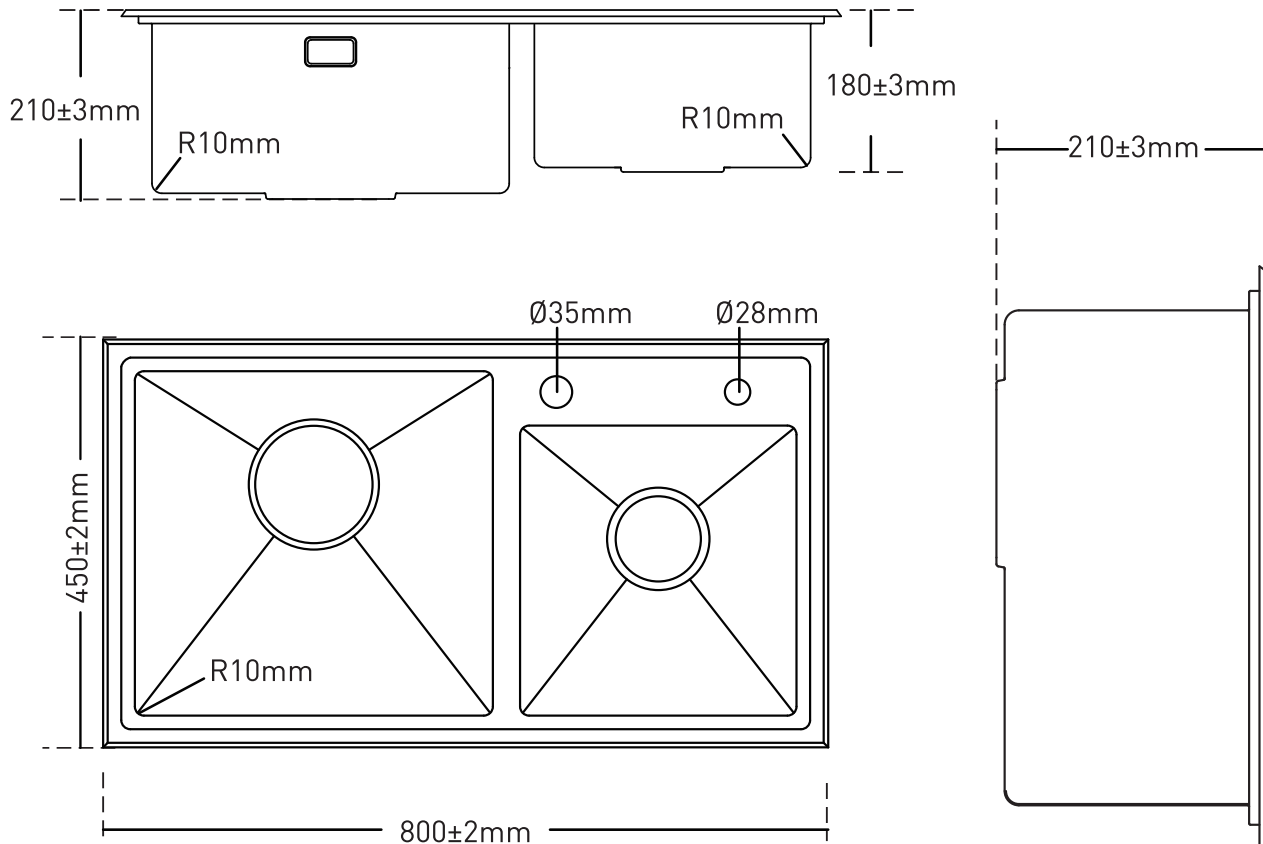
- 5 years limited warranty against leaks and drips
- 1 year limited warranty for sink accessories



Stainless steel double bowl sink

Models: SK27521SL series

SKU No	Drainer	Pipe	Hole \varnothing 28	Accessory	Package	Moen Color
SK27521SL	SB20+SB46	SB042	Yes	N/A	Retail single	Brush



CRITICAL DIMENSIONS DO NOT SCALE