

MOEN® 摩恩

Specifications

DESCRIPTION

- Metal construction with various finishes identified by suffix
- G1/2 connections
- Accessories are various by model. See the table below for details

OPERATION

- Lever Style handle
- Pull-on / Push-off
- Temperature controlled through 90 degree arc of handle travel

FLOW

- Flowrate at 0.1MPa is 6.0L/min minimum in tub spout, about 4.0L/min to 9.0L/min with hose and handheld shower.

CARTRIDGE

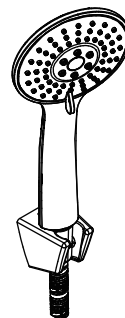
- Ceramic 35mm cartridge design
- Ceramic material

STANDARDS

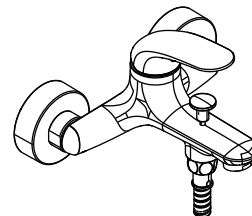
- Designed to meet GB 18145

WARRANTY

- 5 years limited warranty against leaks and drips
- For markets outside of Chinese mainland, the terms and conditions of warranty shall differ between product categories and countries. Please refer to warranty stated by local distribution.



(Optional)



York

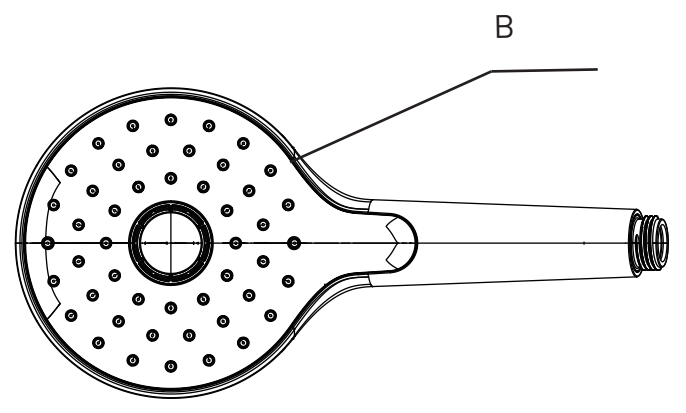
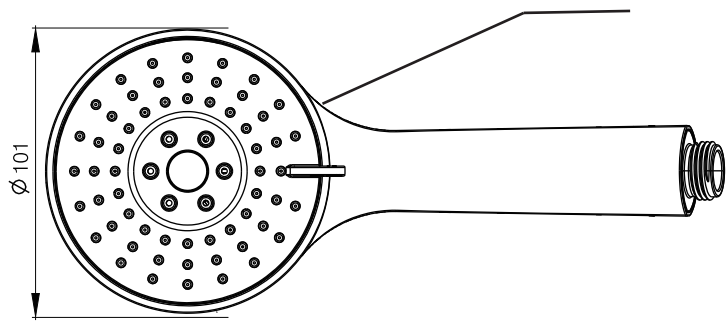
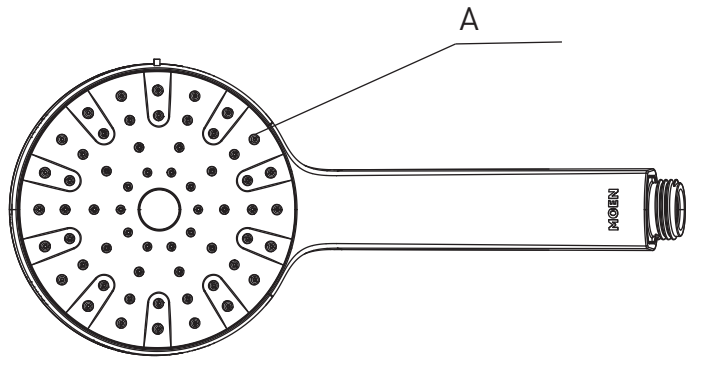
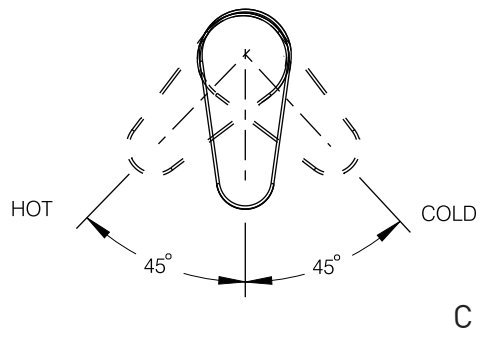
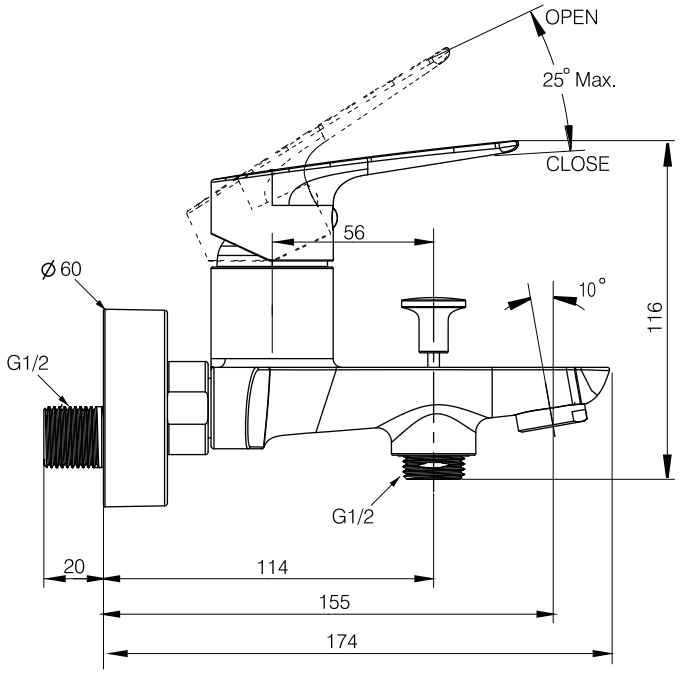
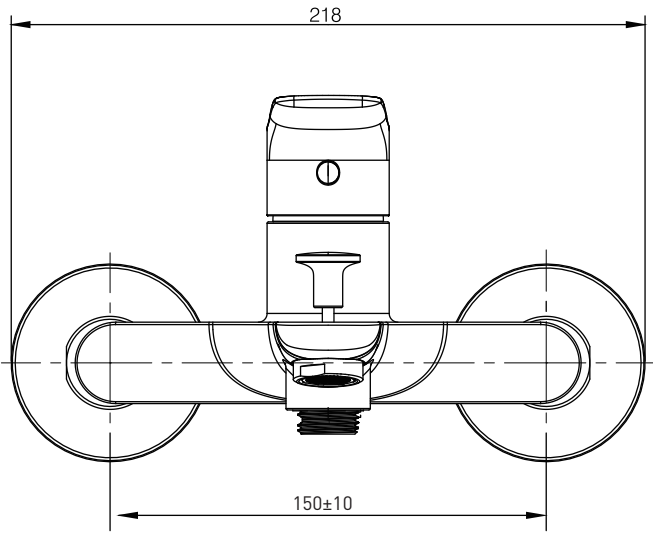
Single Handle Wall Mount Tub Shower Faucet

MODELS : 10135 Series

| SKU | Handheld Shower | Function | Hose (1500mm) | Wall Bracket |
|------------|-----------------|----------|---------------|--------------|
| 10135MCL | × | N/A | √ | √ |
| 10135BP | A | 1F | √ | √ |
| 10135 | A | 1F | √ | √ |
| 10135WK | A | 1F | √ | √ |
| 10135LD | A | 1F | √ | √ |
| 10135MCL01 | × | N/A | √ | × |
| 10135H | B | 1F | √ | √ |
| 10135MCL02 | C | 3F | √ | √ |

CRITICAL DIMENSIONS DO NOT SCALE

Unite: mm



CRITICAL DIMENSIONS DO NOT SCALE

Unite: mm