

### DESCRIPTION

- Chrome finish
- G1/2 connections
- Thermostatic valve design and with 3F hand shower,

### OPERATION

- Knob style handle
- Temperature handle operates through a 237° arc with maximum cold at full clockwise rotation and maximum hot at full counterclockwise rotation
- Safety stop preset temperature at 38°C
- Factory established temperature range from 20° C to 49° C

### FLOW

- Flowrate at 0.1Mpa is:
  - about 13.6L in tap spout
  - about 4.9L with handheld shower
  - about 6.1L with shower bar

### CARTRIDGE

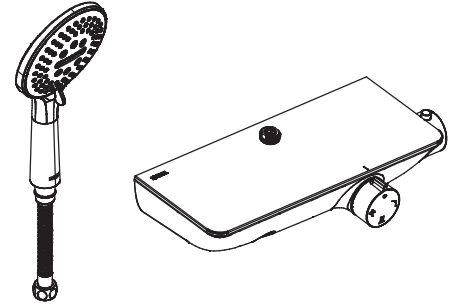
- Thermostatic cartridge design with Nonmetallic/no-ferrous material

### STANDARD

- Designed to meet QB2806

### WARRANTY

- 5 years limited warranty against leaks and drips



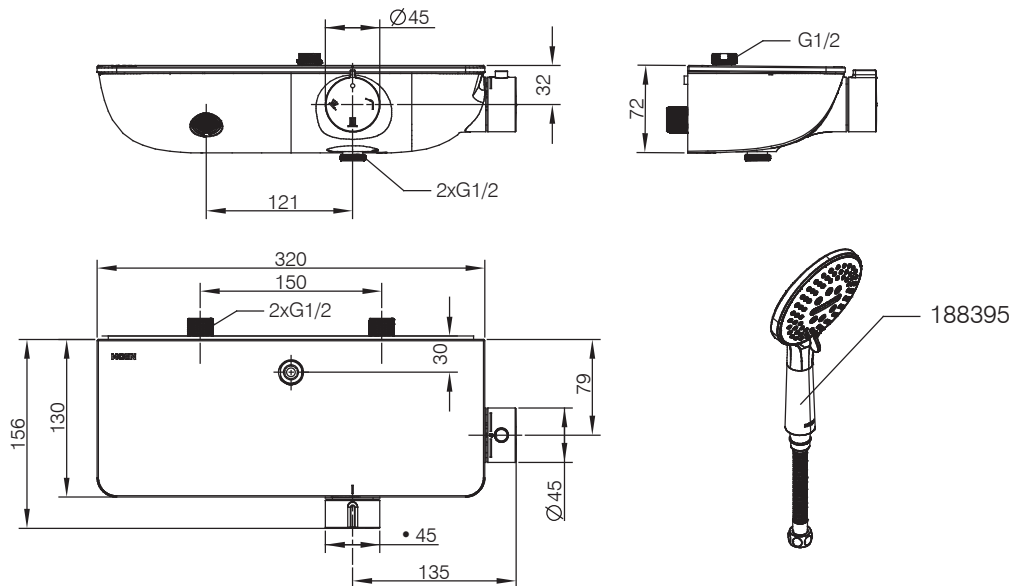
### TORONTO

### WM SHELF FAUCET-DIRECT CONNECT

Models: 68234

Match with MOEN 70334B SHOWER BAR

Units : mm

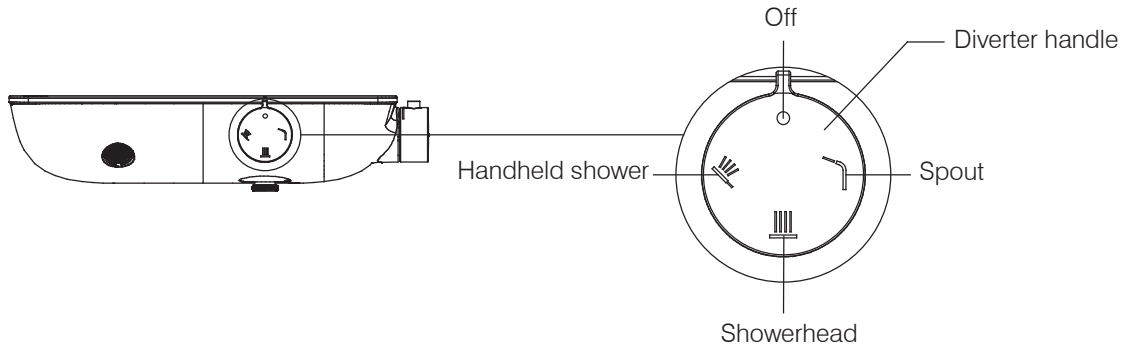


### CRITICAL DIMENSION

(DO NOT SCALE)

Usage :

1. Rotate diverter handle in clockwise/anti-clockwise 90° to transfer functions (Spout/off/handheld shower/showerhead)



2. Usage of controlling temperature of water by the handle with a button (12):

Factory established temperature range from 20 °C to 49 °C ;

Safety stop preset temperature at 38 °C calibration;

1.1 Turn the handle clockwise , water temperature will turn to 20°C from 38°C;

1.2 Press the button down and turn the handle (11) anticlockwise, water temperature will up to 49 °C

