

DESCRIPTION

- Metal construction with chrome finish
- G1/2 connections
- Includes 5F hand-held shower, wall bracket and 1.5m shower hose

OPERATION

- Lever style handle
- Pull-on / Push-off
- Temperature controlled through 90 degree arc of handle travel

FLOW

- Flowrate at 0.3Mpa : about 18.6L/min in tub spout
about 8.9L/min with hose and handheld shower

CARTRIDGE

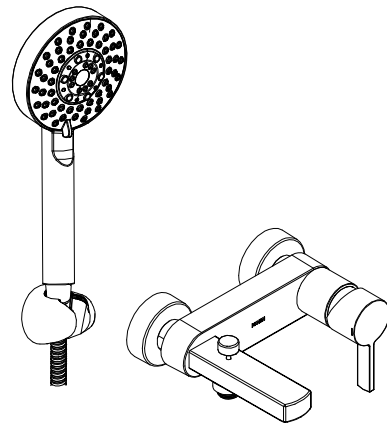
- Ceramic 35mm cartridge

STANDARD

- Designed to meet GB 18145

WARRANTY

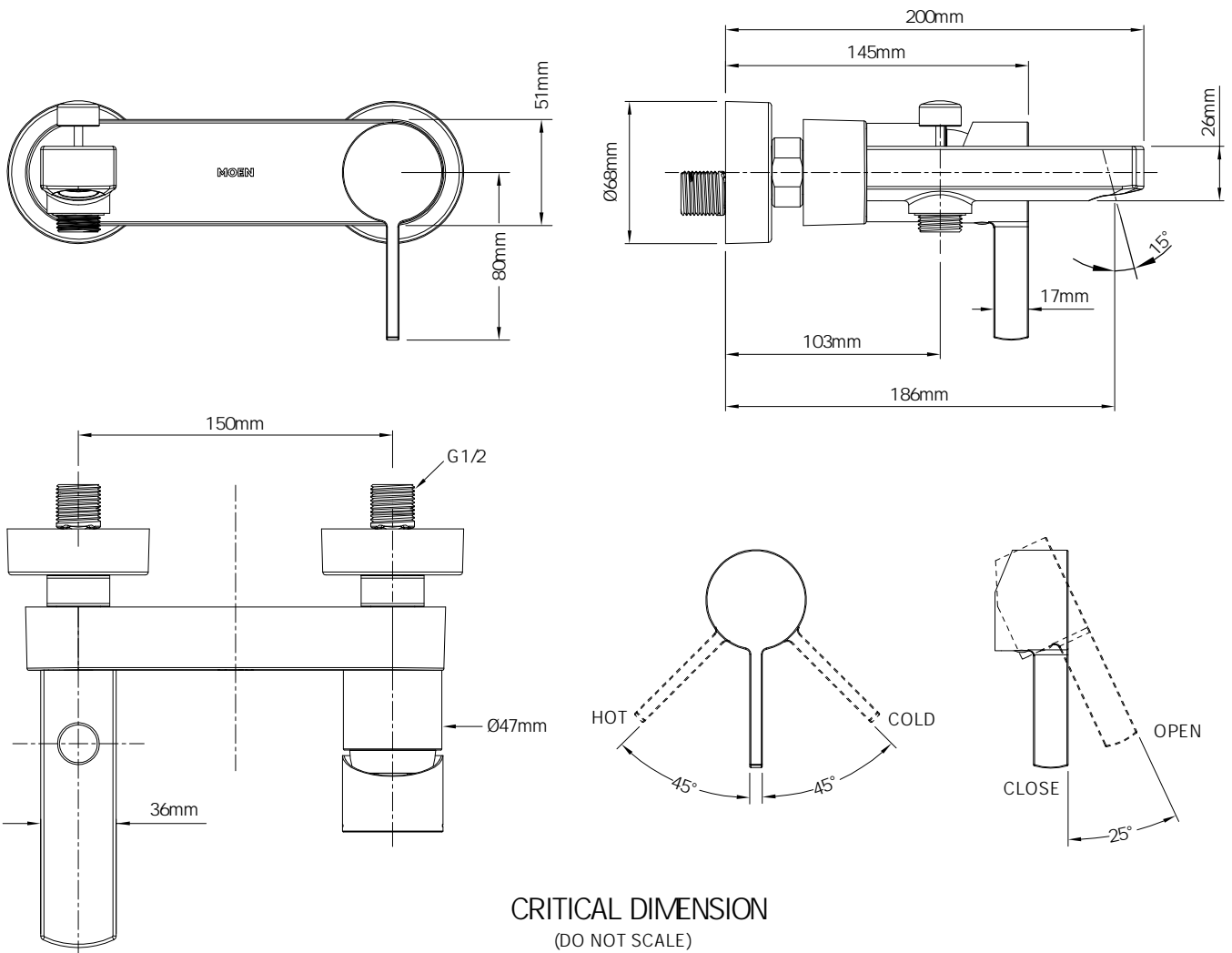
- 5 years limited warranty against leaks and drips



STEROPE

Single Handle Wall Mount Tub Shower Faucet

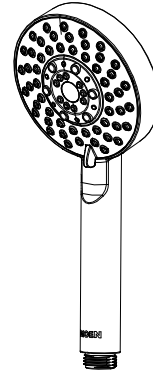
Models: 57136



CRITICAL DIMENSION
(DO NOT SCALE)

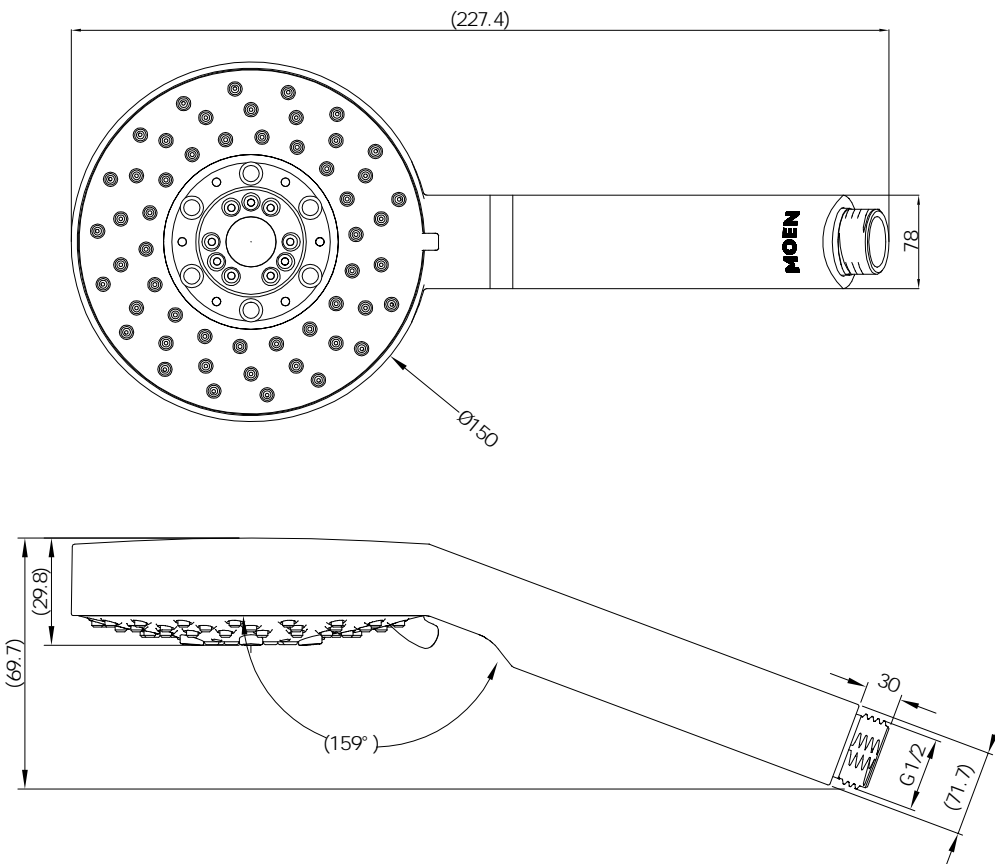


Specifications



5F Handle Held Shower

Models: 172391



CRITICAL DIMENSION
(DO NOT SCALE)