

MOEN® 摩恩

Specifications

DESCRIPTION

- Sanitary Spray Set

OPERATION

- Operating force is no more than 30N during operating temperature 4-50°C and pressure 0.05-0.5Mpa without faucet.

CARTRIDGE

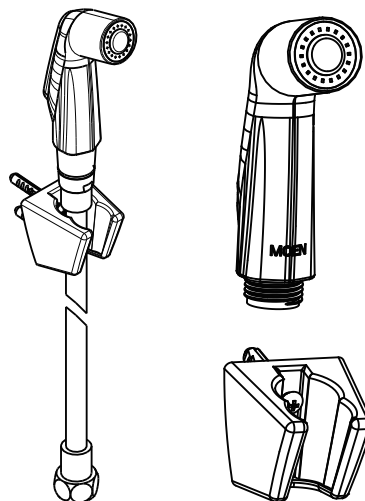
- N/A

STANDARDS

- Q/MESN 12-2019(for 9037series)
- ES-141(for 9037Vseries)

SPRAY HOSE

- 1200mm in length
- This is only for 9037Vseries



(9037V series)

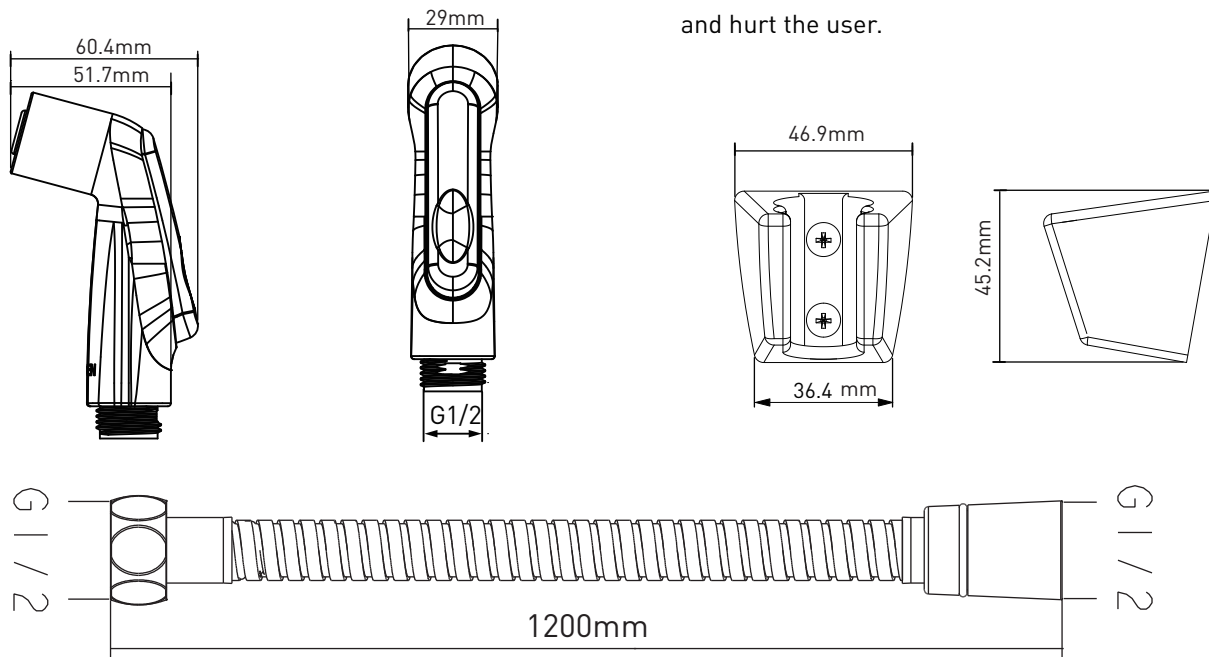
(9037 series)

Sanitary Spray Set

Models: 9037 series
9037V series

CAUTION

- 1.Flush the water supply pipes thoroughly to remove debris.
- 2.The highest working pressure for spray is 0.5Mpa(5bar). If it exceeds 0.5Mpa(5bar), a pressure reducer is needed. The environment highest temperature is 50°C. Please keep spray and the hose away from heater, or it maybe damaged and hurt the user.



CRITICAL DIMENSIONS DO NOT SCALE