

# MOEN 摩恩

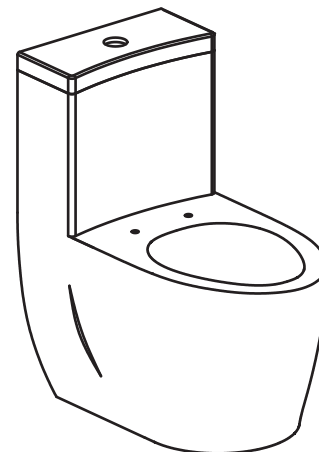
## Specifications

### 描述

- 釉面陶瓷座便器
- 冲水类型：双冲水
- 产品规格：L:710 × W:395 × H:720 (mm)
- 用水量：4.0L (快速冲洗L: 3.5L, 满冲洗: 5.0L)
- 水效等级：1级水效
- 推荐马桶座圈：SW9181
- 水压：0.02MPa-0.8MPa
- 推荐工作水压：0.05MPa-0.2MPa

### 执行标准

- GB/T 6952-2015 《卫生陶瓷》



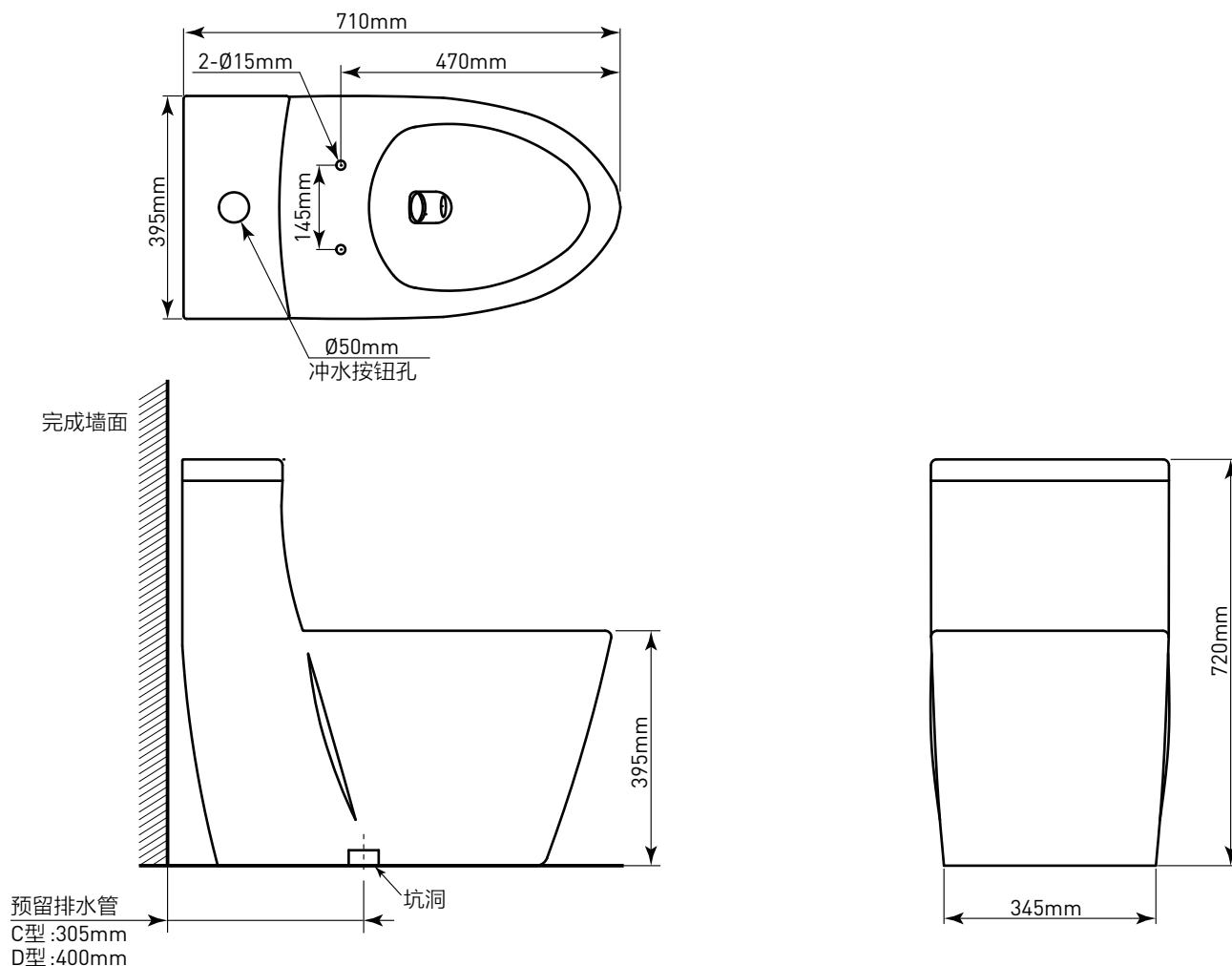
心朗系列

陶瓷座便器

型号: SW0182C (305mm)  
SW0182D (400mm)

注意：当选择水龙头和配件时，请使用推荐或咨询摩恩经销商或拨打摩恩热线。

\* 图中所示皆为参考尺寸



CRITICAL DIMENSIONS DO NOT SCALE

# MOEN 摩恩

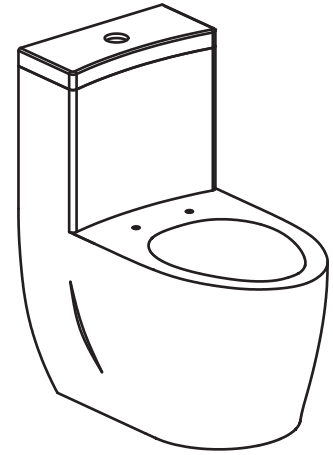
# Specifications

## DESCRIPTION

- Ceramic toilet
- Flush type: double flush
- Product specifications: L:710 × W:395 × H:720(mm)
- Water consumption: 4.0L (3.5L for rapid flushing, 5.0L for full flushing)
- Water efficiency grade: Level 1
- Recommended toilet seat: SW9181
- Water pressure: 0.02MPa-0.8MPa
- Recommended working water pressure: 0.05MPa-0.2MPa

## EXECUTIVE STANDARD

- GB/T 6952-2015 "SANITARY CERAMICS"

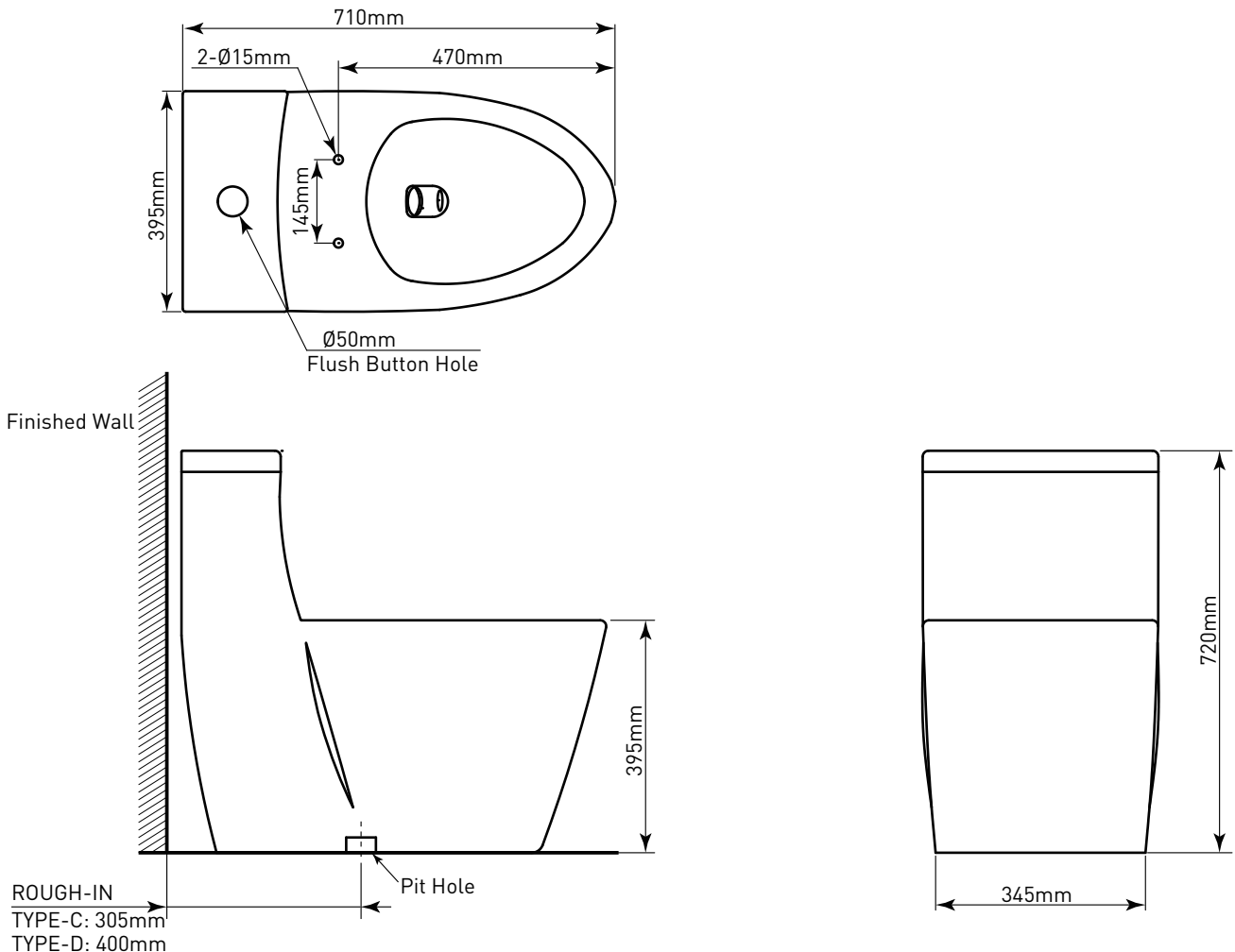


Cynthia Series  
Cerimic Toilet

Models: SW0182C(305mm)  
SW0182D(400mm)

NOTE: When choosing faucets and accessories, please use recommendations or consult a Moen dealer or call the Moen hotline.

\* All shown in the picture are reference dimensions



**CRITICAL DIMENSIONS DO NOT SCALE**