

## 产品描述

- 毛巾环
- 产品规格: L:193 × W:170 × H:81(mm)
- 金属结构, 多种表面颜色

## 标准

- 符合QB/T 1560-2017
- 表面处理通过10级酸性盐雾24小时测试

## 质保期

- 1年有限保修, 人为损坏和化学品侵蚀除外

## DESCRIPTION

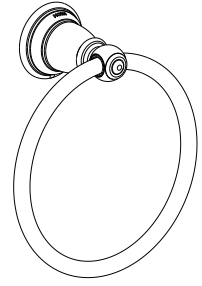
- Towel Ring
- Product specifications: L:193 × W:170 × H:81(mm)
- Metal construction with various finishes identified by suffix

## STANDARD

- Comply with QB/T 1560-2017
- Product finish pass AASS 24H grade 10

## WARRANTY

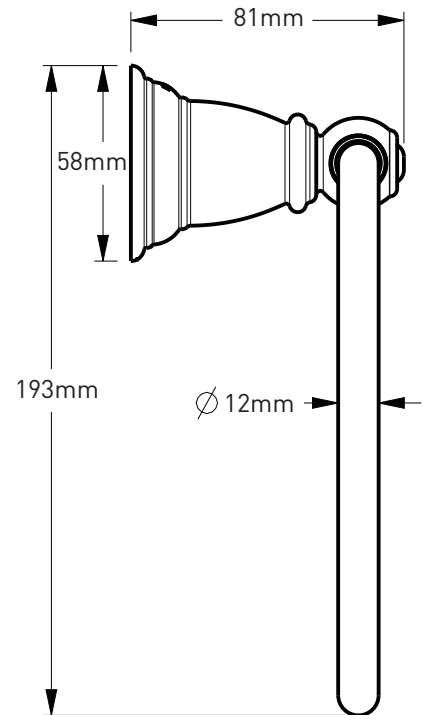
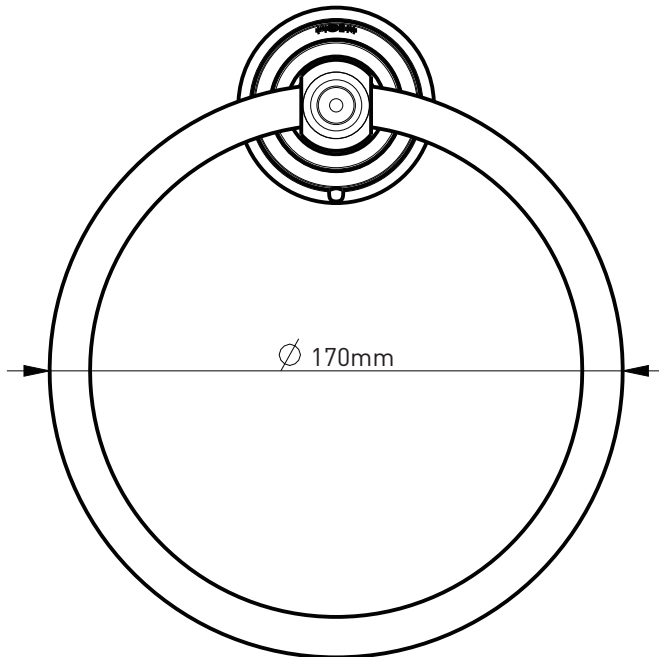
- 1 years limited warranty except artificial damage and chemicals erosion



## 爵士利系列 毛巾环 KINGSLEY Series Towel Ring

型号: ACC1504 系列

**MODELS:** ACC1504 series



CRITICAL DIMENSIONS DO NOT SCALE