

产品描述

- 厕纸架
- 产品规格: L:150 × W:138 × H:81(mm)
- 金属结构, 多种表面颜色

标准

- 符合QB/T 1560-2017
- 表面处理通过10级酸性盐雾24小时测试

质保期

- 1年有限保修, 人为损坏和化学品侵蚀除外

DESCRIPTION

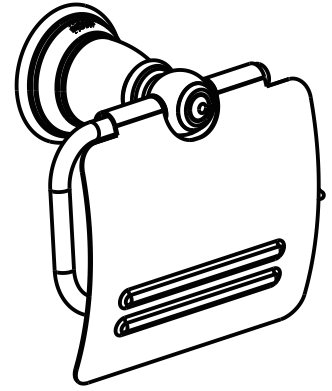
- Paper Holder
- Product specifications: L:150 × W:138 × H:81(mm)
- Metal construction with various finishes identified by suffix

STANDARD

- Comply with QB/T 1560-2017
- Product finish pass AASS 24H grade 10

WARRANTY

- 1 years limited warranty except artificial damage and chemicals erosion



爵士利系列

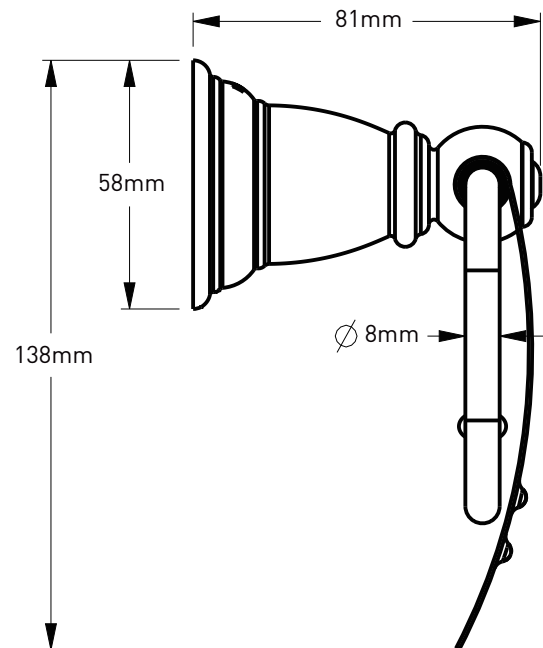
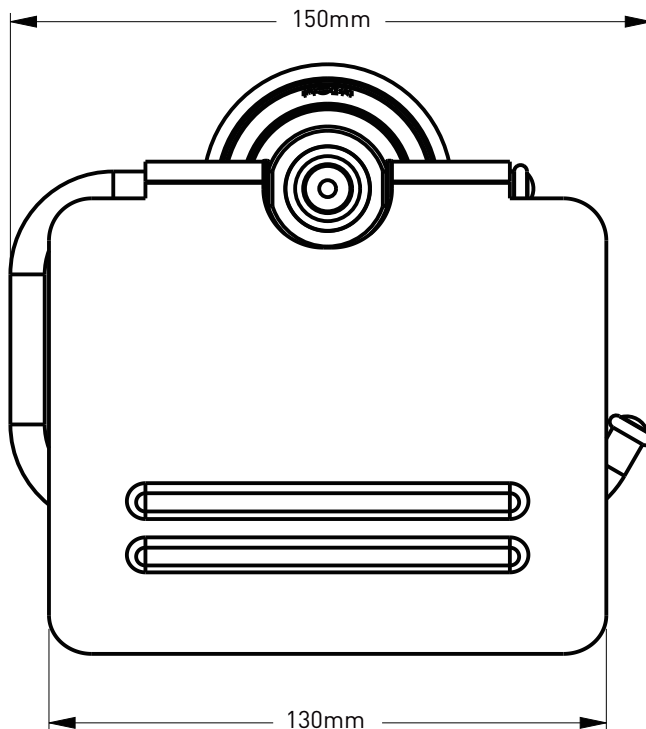
厕纸架

KINGSLEY Series

Paper Holder

型号: ACC1505 系列

MODELS: ACC1505 series



CRITICAL DIMENSIONS DO NOT SCALE