

描述

- 产品尺寸: $\Phi 56.5 \times 63$ mm
- 三功能角阀

执行标准

(凡不注明日期, 即为最新版本)

- 符合 GB/T 26712

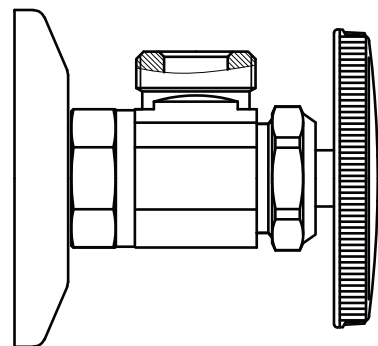
DESCRIPTION

- Product Dimensions: $\Phi 56.5 \times 63$ mm
- Three-way Angle Valve

STANDARD

(Unless otherwise dated, it is considered to be the latest version)

- Designed to meet GB/T 26712



角阀

Angle Valve

型号: 118097 系列

MODELS: 118097 Series

单位Unit: mm

