

# MOEN 摩恩

## Specifications

### 描述

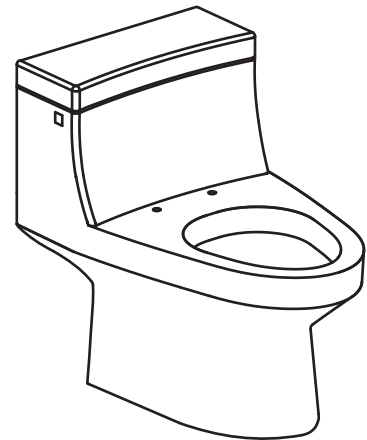
- 釉面陶瓷座便器
- 冲水类型: 单冲水
- 产品规格: L:725 × W:460 × H:610 (mm)
- 用水量: 4.8L
- 水效等级: 2级水效
- 推荐马桶座圈: SW9141
- 水压: 0.02MPa-0.8MPa
- 推荐工作水压: 0.05MPa-0.2MPa

### 执行标准

- GB/T 6952-2015 《卫生陶瓷》

注意: 当选择水龙头和配件时, 请使用推荐或咨询摩恩经销商或拨打摩恩热线。

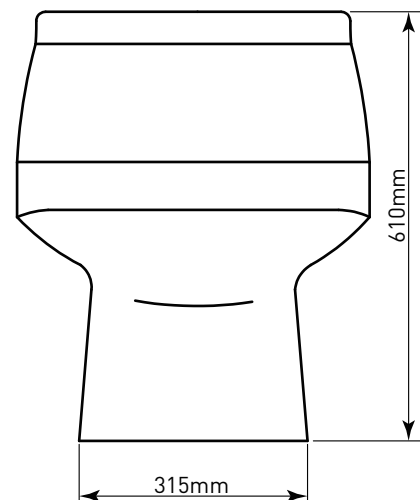
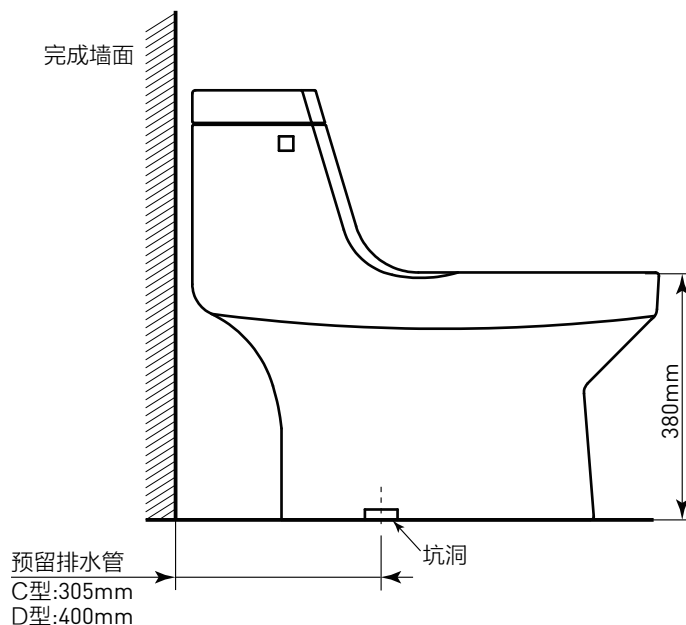
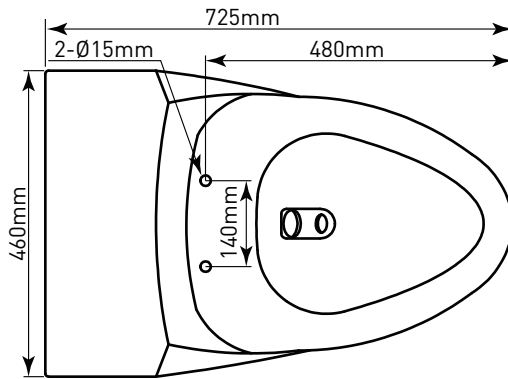
\* 图中所示皆为参考尺寸



凯瑞系列

陶瓷座便器

型号: SW0155C (305mm)  
SW0155D (400mm)



CRITICAL DIMENSIONS DO NOT SCALE

# MOEN 摩恩

## Specifications

### DESCRIPTION

- Ceramic toilet
- Flush type: single flush
- Product specifications: L:725 × W:460 × H:610(mm)
- Water consumption: 4.8L
- Water efficiency grade: Level 2
- Recommended toilet seat: SW9141
- Water pressure: 0.02MPa-0.8MPa
- Recommended working water pressure: 0.05MPa-0.2MPa

### EXECUTIVE STANDARD

- GB/T 6952-2015 "SANITARY CERAMICS"



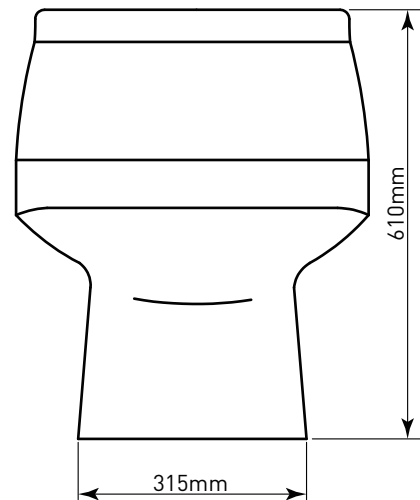
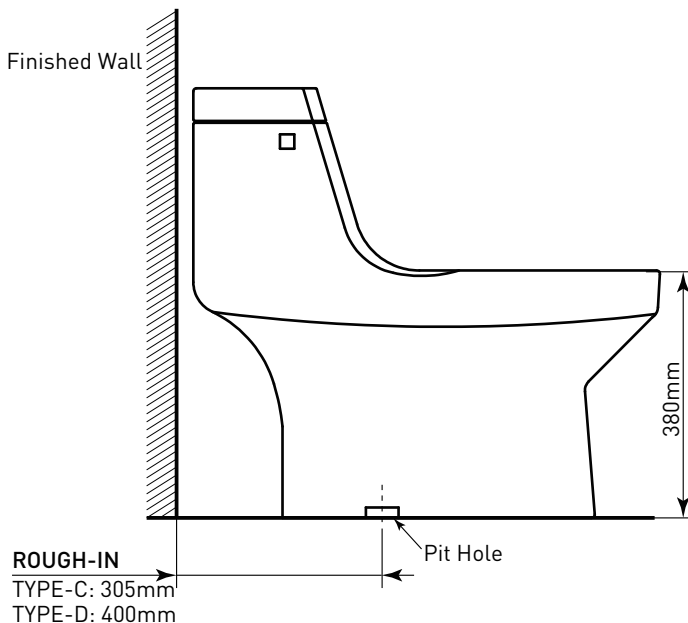
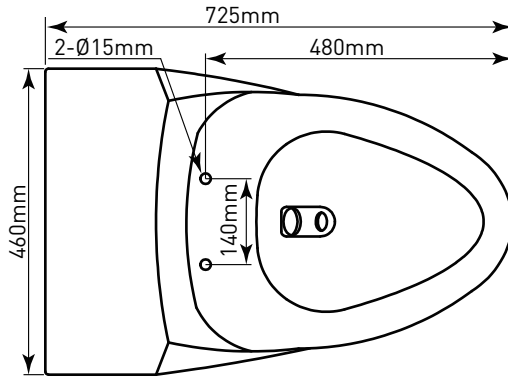
### Kerry Series

### Cerimic Toilet

Models: SW0155C(305mm)  
SW0155D(400mm)

NOTE: When choosing faucets and accessories, please use recommendations or consult a Moen dealer or call the Moen hotline.

\* All shown in the picture are reference dimensions



**CRITICAL DIMENSIONS DO NOT SCALE**