

描述

- 产品规格：长：506 * 宽：220 * 高：1144；
面板尺寸：245*165
- 全排冲水量可调节范围：4.5-7L
- 半排冲水量可调节范围：3L-5L
出厂默认设置：6L/4.2L
- 坑距：墙排
- 推荐坐便器型号：SW0313P0/P1/P2和SW0314P0/P1/P2
- 供水压力范围：0.02Mpa-0.75Mpa
- 推荐工作压力范围：0.05Mpa-0.2Mpa

执行标准

- GB6952-2015 《卫生陶瓷》
- GB25502-2017 《坐便器水效限定值及水效等级》

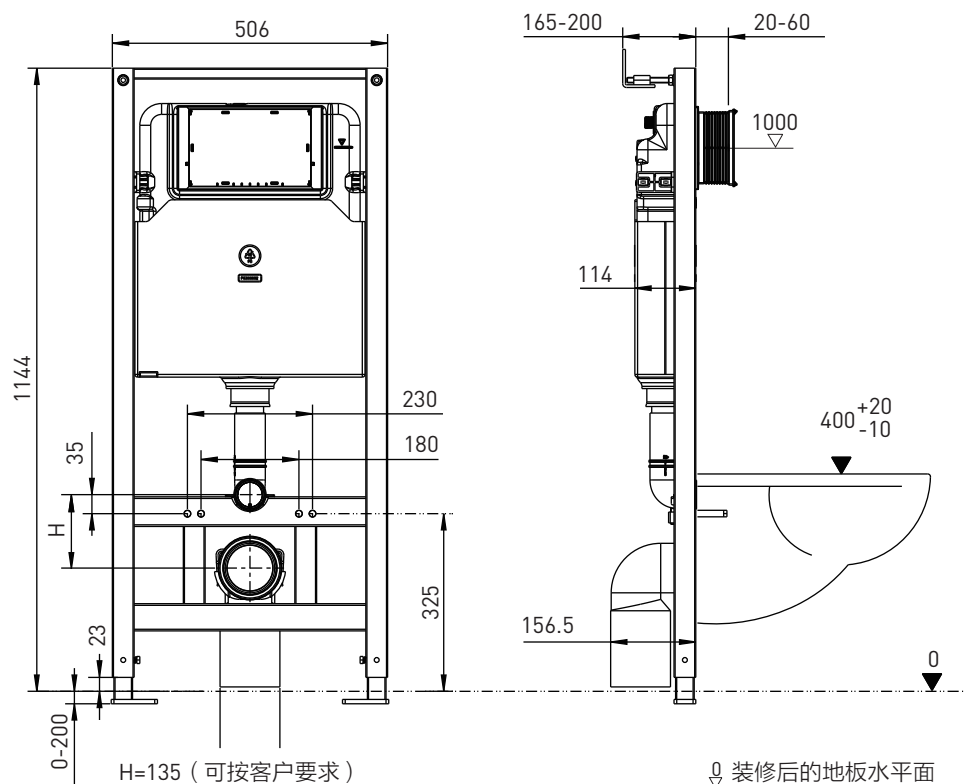
单位：mm



艾格瑞系列

隐藏式水箱

型号：SW8001A (黑色面板)
SW8001B (白色面板)
SW8001C (玻璃面板)



面板示意图：

面板尺寸245*165

LOGO距离面板边沿15mm*15mm，高度5.08mm



SW8001A

SW8001B

SW8001C

本公司保留随时变更图中标示尺寸的权利，无需另行通知

CRITICAL DIMENSIONS DO NOT SCALE

DESCRIPTION

- Product Specifications: L: 506*W:220*H:1144
Flush Plate Size: 245*165
- Full Flush Adjustable Range: 4.5-7L
- Half Flush Adjustable Range: 3- 5L
The Factory Default Setting : 6L / 4.2L
- Pit Distance: Wall Row
- Recommended Toilet: SW0313P0/P1/P2 and SW0314P0/P1/P2
- Water Supply Pressure Range: 0.02Mpa-0.75Mpa
- Recommended Working Pressure Range: 0.05Mpa-0.2Mpa



ENGINEER

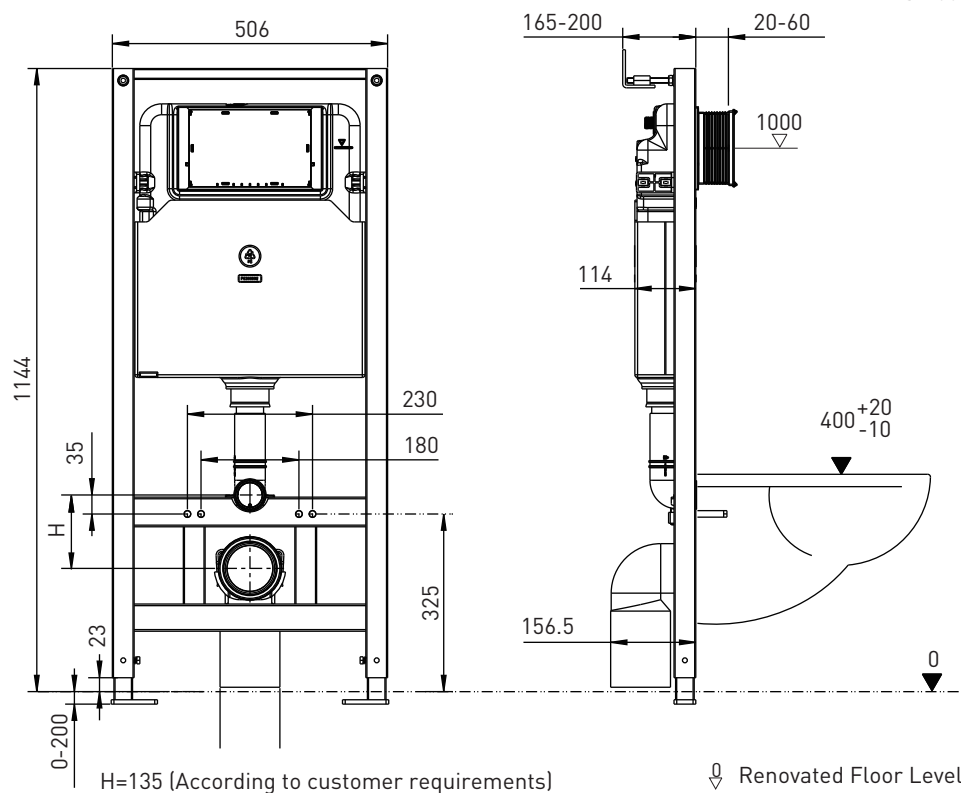
Conceal Cistern

MODELS: SW8001A (Black Plate)
SW8001B (White Plate)
SW8001C (Glass Plate)

EXECUTION STANDARD

- GB6952-2015 "Sanitary wares"
- GB25502-2017 "Minimum allowable values of water efficiency and water efficiency grades for water closets"

Unit: mm



Schematic Diagram of the Flush Plate:

Panel size 245*165

The LOGO is 15mm*15mm away from the edge of the flush plate, and the height is 5.08mm



SW8001A

SW8001B

SW8001C

The company reserves the right to change the dimensions indicated in the drawings at any time without prior notice

CRITICAL DIMENSIONS DO NOT SCALE