

MOEN® 摩恩

Specifications

描述

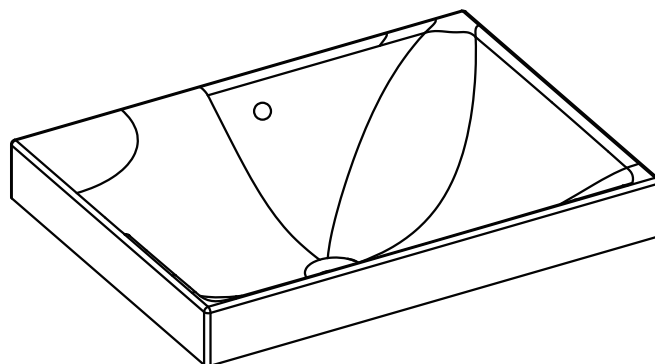
- 釉面陶瓷盆
- 产品规格: L:560 × W:420 × H:180 (mm)
- 安装方式: 台上式
- 自带溢流孔

执行标准

- GB/T 6952-2015 《卫生陶瓷》

注意: 当选择水龙头和配件时, 请使用推荐或咨询摩恩经销商或拨打摩恩热线。

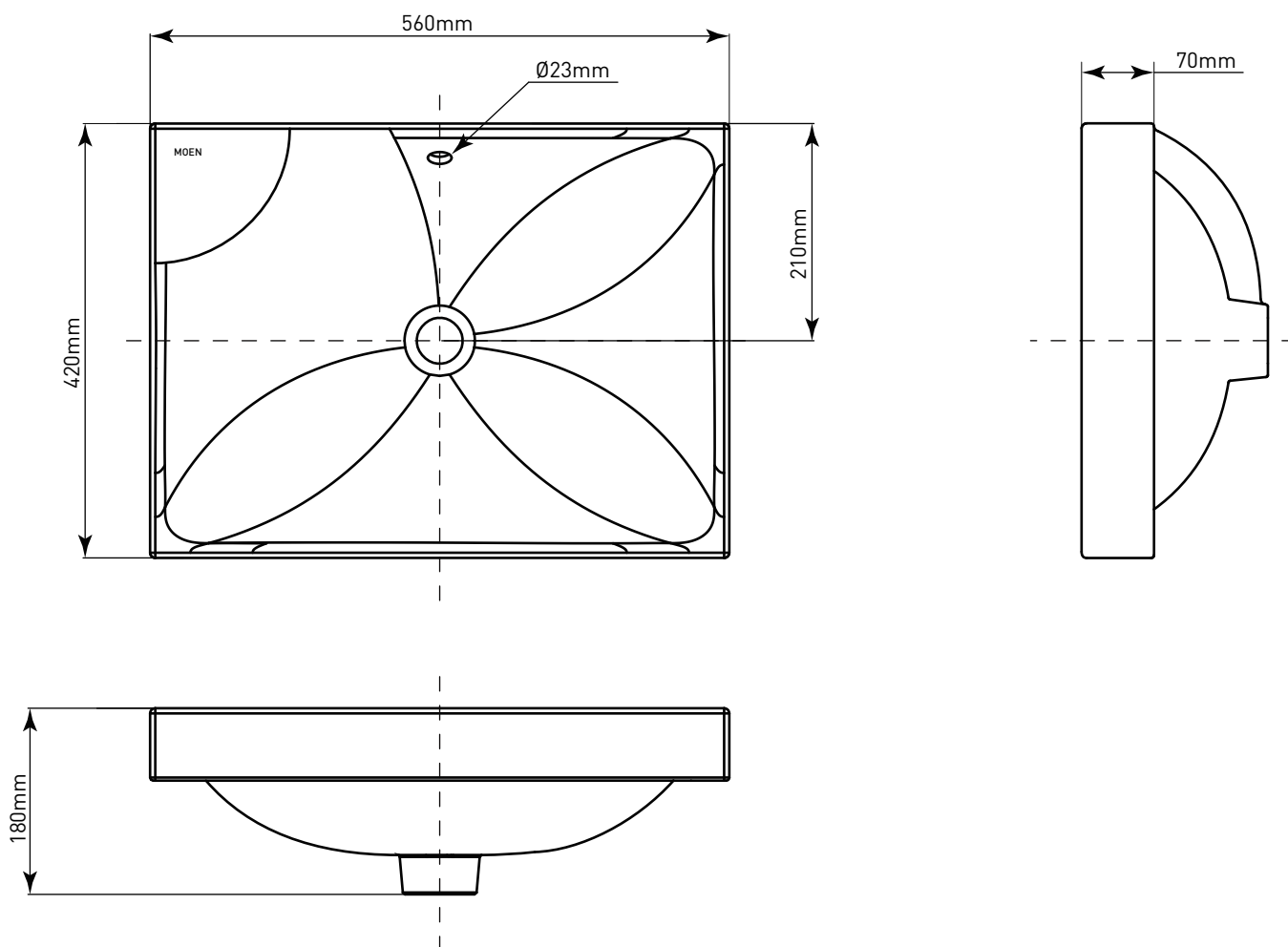
* 图中所示皆为参考尺寸



凯瑞系列

方形台上陶瓷盆

型号: SW51530



CRITICAL DIMENSIONS DO NOT SCALE

MOEN® 摩恩

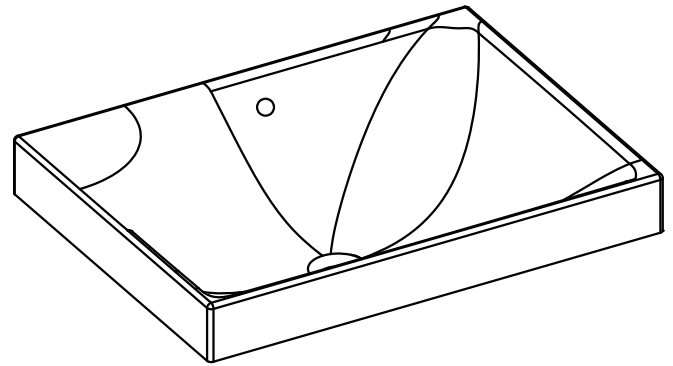
Specifications

DESCRIPTION

- Glazed ceramic basin
- Product specifications: L:560× W:420 × H:180(mm)
- Installation method: Countertop
- With overflow hole

EXECUTIVE STANDARD

- GB/T 6952-2015 "SANITARY CERAMICS"



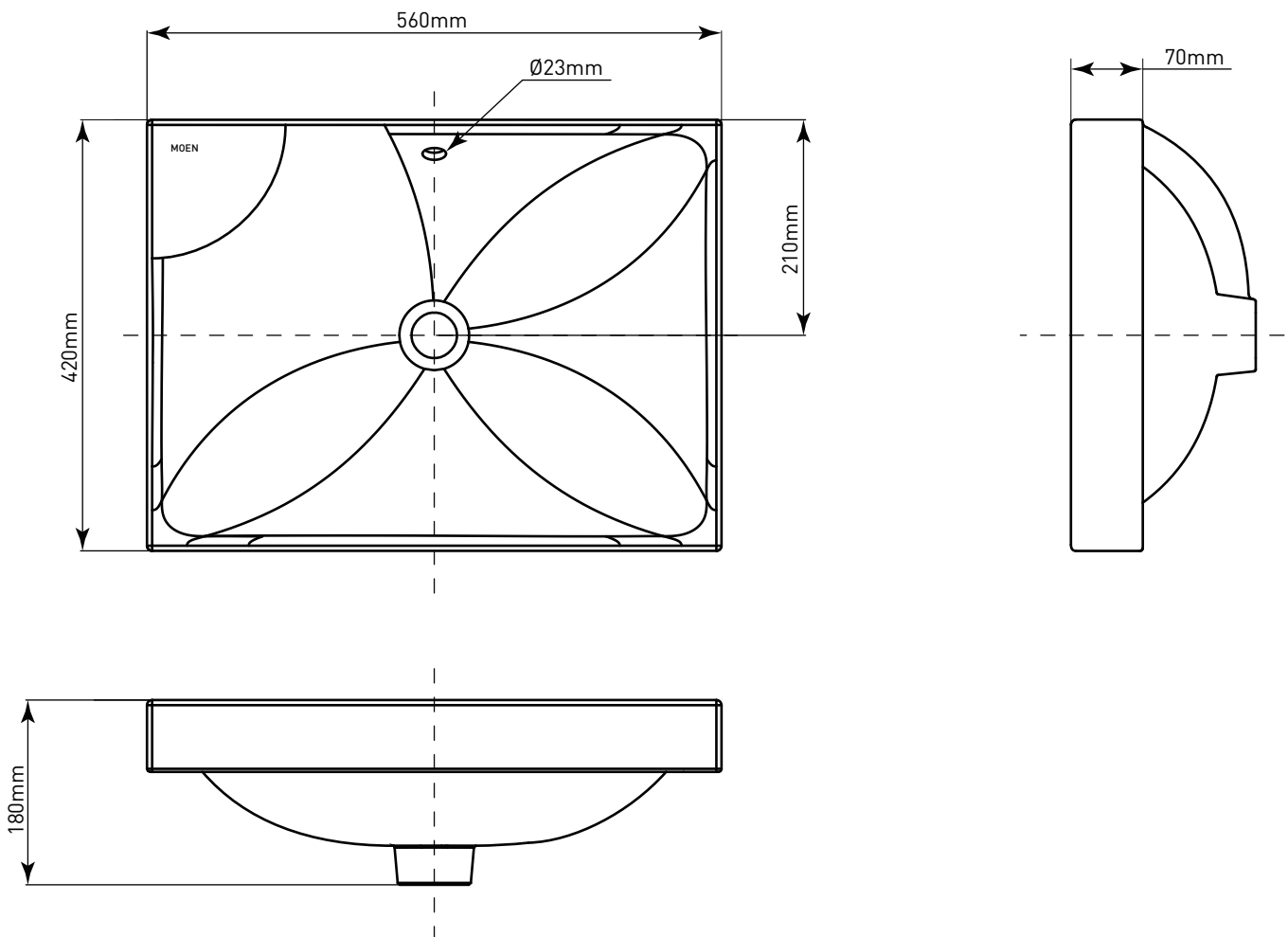
Kerry Series

Ceramic Basin

Models: SW51530

NOTE: When choosing faucets and accessories, please use recommendations or consult a Moen dealer or call the Moen hotline.

* All shown in the picture are reference dimensions



CRITICAL DIMENSIONS DO NOT SCALE