

MOEN® 摩恩

Specifications

MATERIAL:

- Vitreous China

DIMENSIONS:

- L550mm*W430mm*H180mm

FEATURES:

- Single faucet hole
- Overflow drain

INSTALLATION:

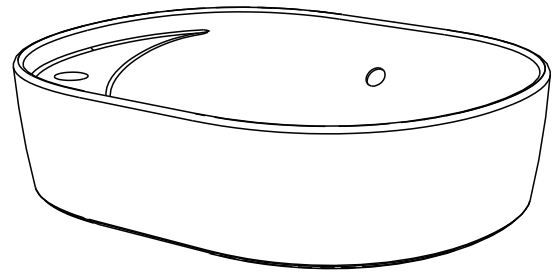
- Counter top

STANDARD:

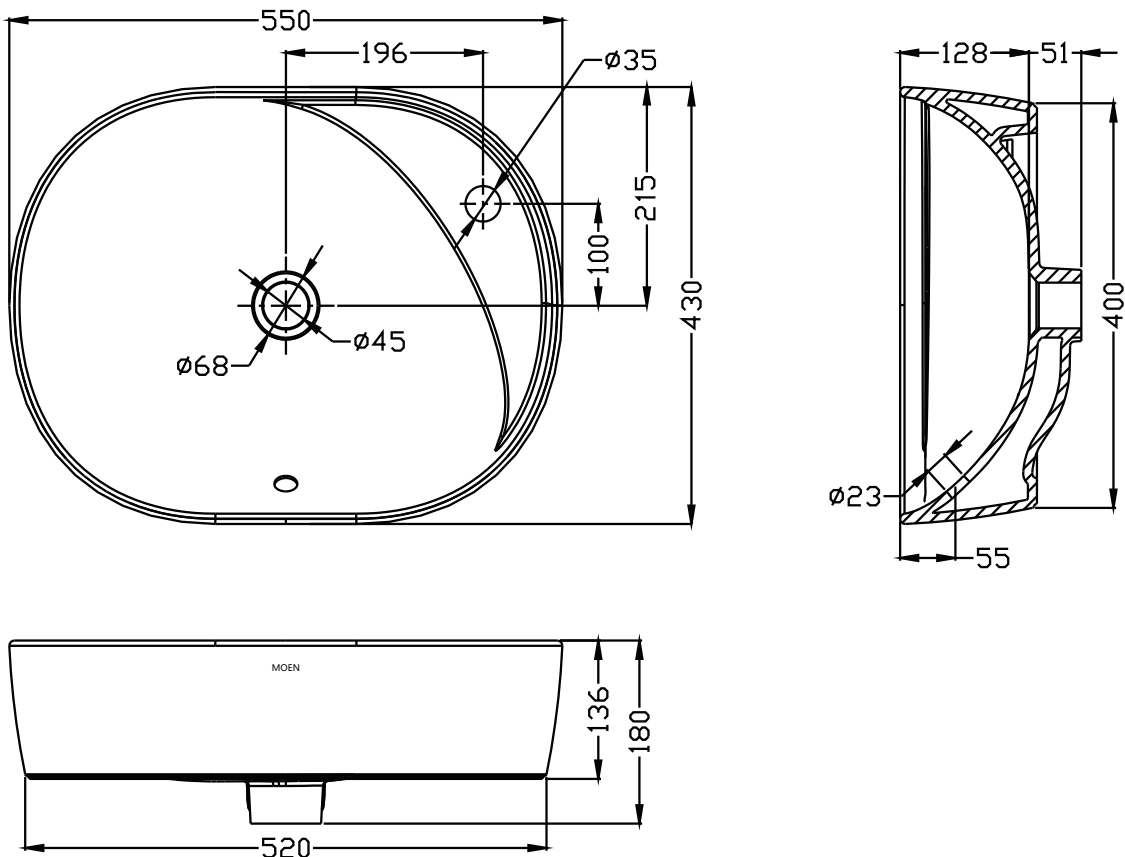
- GB/T 6952-2015

WARRANTY:

- 5years limited warranty



STEROPE
Ceramic Basin
MODEL:SW53711



CRITICAL DIMENSIONS DO NOT SCALE