

MOEN® 摩恩

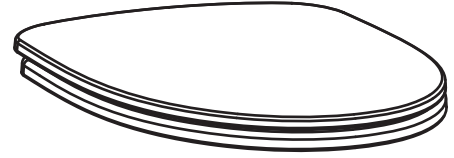
Specifications

描述

- 产品规格: L:485 × W:380 × T:51 (mm)
- 材质: PP
- 特点: 缓降
- 安装调整距离: 128-152 (mm)

执行标准

- JC/T 764-2008 《坐便器圈和盖》



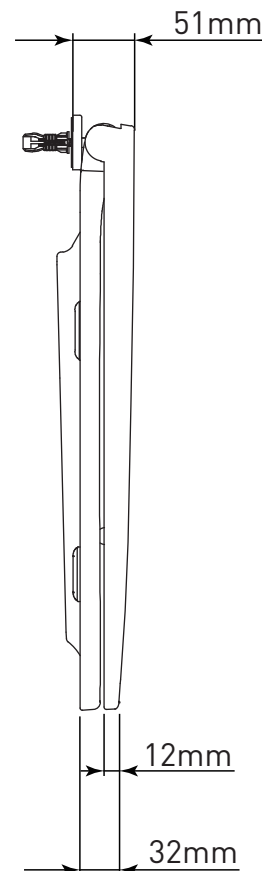
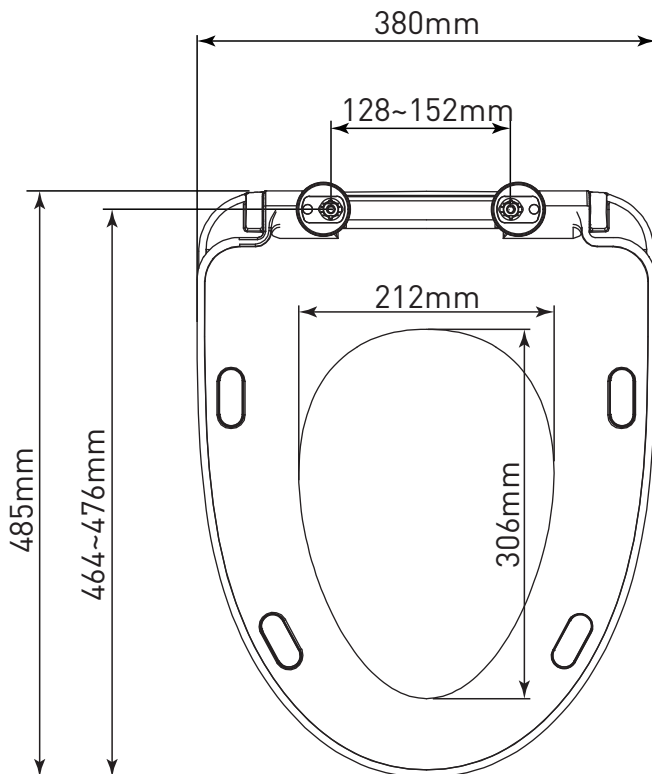
注意:当选择坐便器时, 请使用推荐或咨询摩恩经销商或拨打摩恩热线。

* 图中所示皆为参考尺寸

凯瑞系列

坐便器盖板

型号: SW9152



CRITICAL DIMENSIONS DO NOT SCALE

MOEN® 摩恩

Specifications

DESCRIPTION

- Dimensions: L:485 × W:380 × T:51 (mm)
- Material: PP
- Features: Soft close
- Mounting Adjustment Distance: 128-152 (mm)

EXECUTIVE STANDARD

- JC/T 764-2008 "WC SEATS"

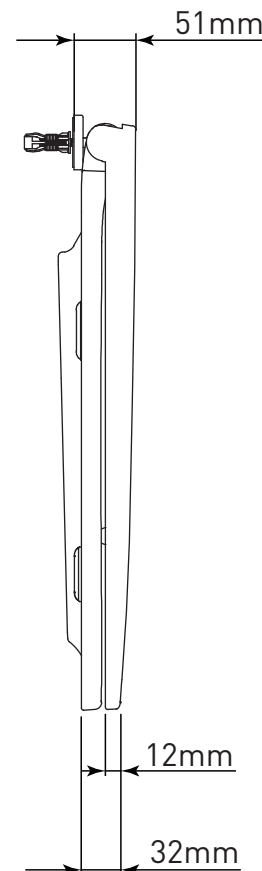
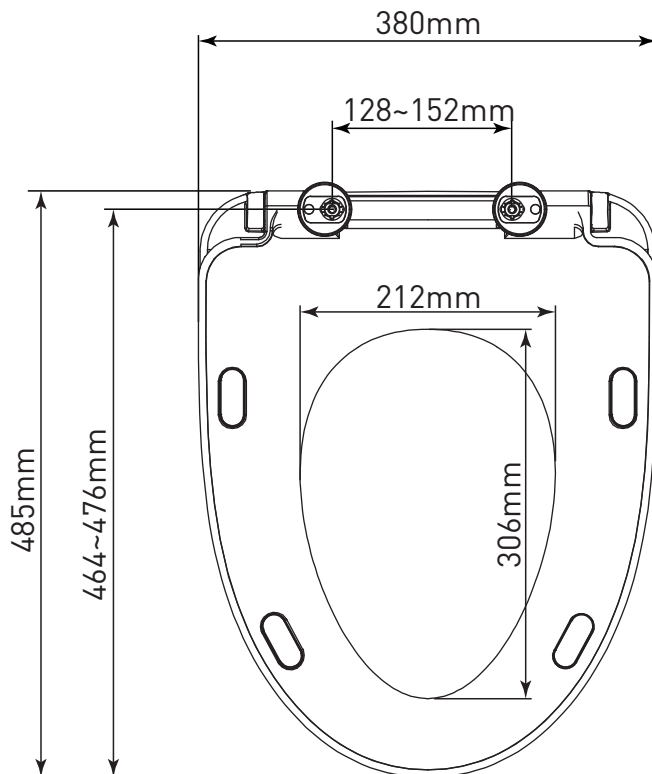


NOTE: When choosing toilet, please use recommendations or consult a Moen dealer or call the Moen hotline.

* All shown in the picture are reference dimensions

Kerry Series

Ceramic Toilet
Models: SW9152



CRITICAL DIMENSIONS DO NOT SCALE