

MOEN® 摩恩

Specifications

DESCRIPTION

- Material : Acrylic
- Applicable place : Family & Hotel
- Applicable water temperature : 0℃ to 80℃
- Design for a single person, can carry a weight of 300kg

WATER DEPTH

- To Overflow Hole Bottom : 330mm

CAPACITY

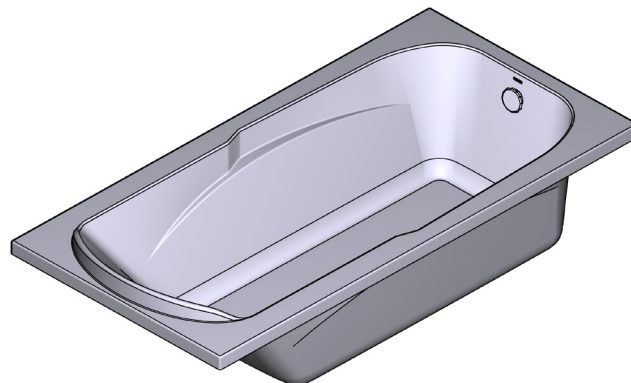
- To Overflow Hole Bottom : 150L

AREA

- Basin Area : 960mm * 460mm
- Top Area : 1400mm * 600mm

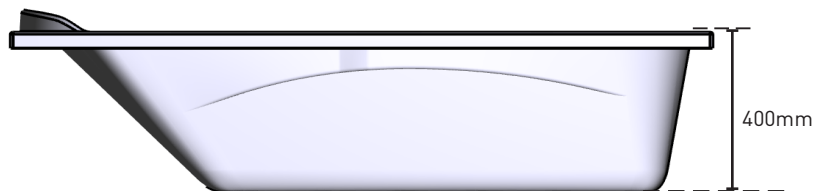
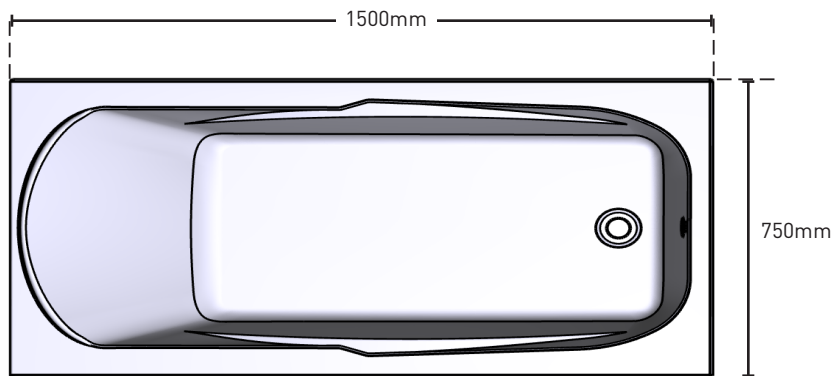
STANDARDS

- Designed to meet JC/T779



Drop-in Bathtub

MODEL: SWT092Q



Optional Accessory Information

Drain AssemblySWA008

CRITICAL DIMENSIONS DO NOT SCALE