

MOEN® 摩恩

Specifications

DESCRIPTION

- Material : Acrylic
- Applicable place : Family & Hotel
- Applicable water temperature : 0℃ to 80℃
- Design for a single person, can carry a weight of 300kg
- It is forbidden to sit without being filled with water

WATER DEPTH

- To Overflow Hole Bottom : 405mm

CAPACITY

- To Overflow Hole Bottom : 310L

AREA

- Basin Area : 1080mm * 510mm
- Top Area : 1600mm * 800mm

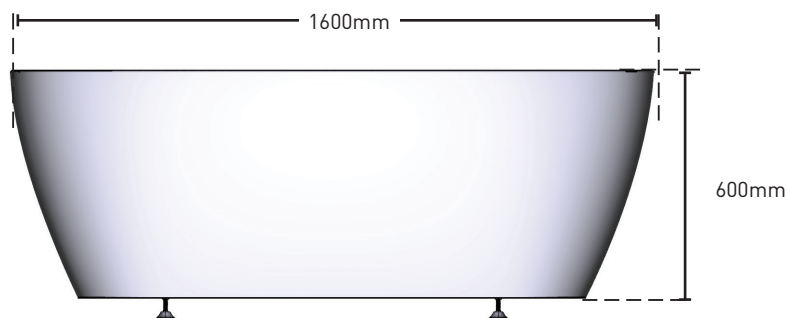
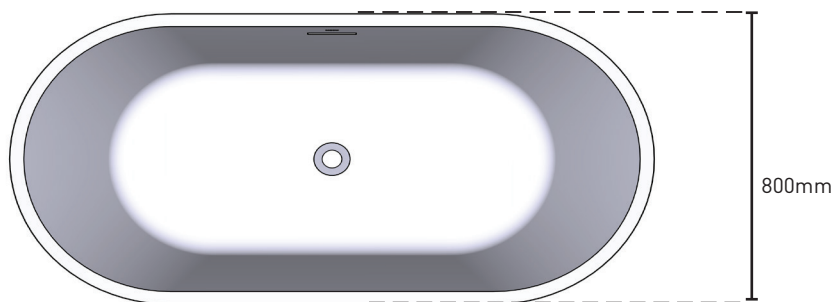
STANDARDS

- Designed to meet JC/T 779-2010



Free Standing Bathtub

MODEL: SWT183D



CRITICAL DIMENSIONS DO NOT SCALE