

DESCRIPTION

- Metal construction with various finishes identified by suffix
- 3/4" IPS connection
- Includes four single-function body sprays
- Includes 7" rainshower showerhead, arm and flange
- Includes three function hand shower with 69" hose assembly, drop ell and wall bracket
- For use with S936 3/4" thermostatic valve and S956 volume control valve

OPERATION

- Flow lever operates counterclockwise through a 90 degree arc with off at 6 o'clock and maximum flow at the 3 o'clock position. Shut off in clockwise direction
- Temperature lever operates through a 340 degree arc with maximum cold at full clockwise rotation and maximum hot at full counterclockwise rotation
- Safety stop preset temperature at 105 degrees F (41 degrees C)
- Safety stop override allows maximum temperature at 120 degrees F (49 degrees C)
- Factory established temperature range from 70 degrees F (21 degrees C) to 120 degrees F (49 degrees C)


FLOW

- Showerhead and handshower are limited to 2.5 gpm max (9.5 L/min)
- Bodysprays are limited to 1.75 gpm max (6.6 L/min)

CARTRIDGE

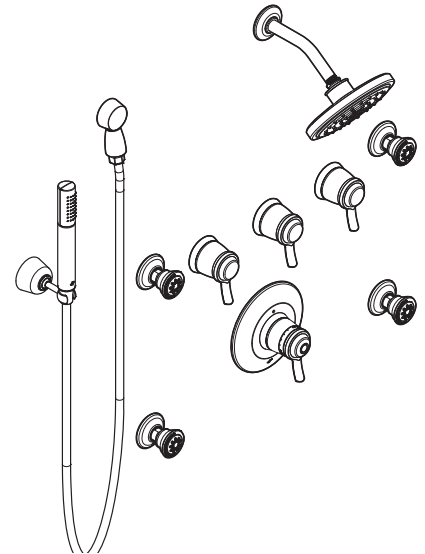
- 130156 thermostatic cartridge design with non metallic/nonferrous materials
- 130157 volume ceramic disc cartridge design

STANDARDS

- Third party certified to ASME A112.18.1/CSA B125.1 and all applicable requirements referenced therein including ASSE1016 and ASSE1014
- ADA  for lever handles

WARRANTY

- Lifetime limited warranty against leaks, drips and finish defects to the original consumer purchaser
- 5 year warranty if used in commercial installations

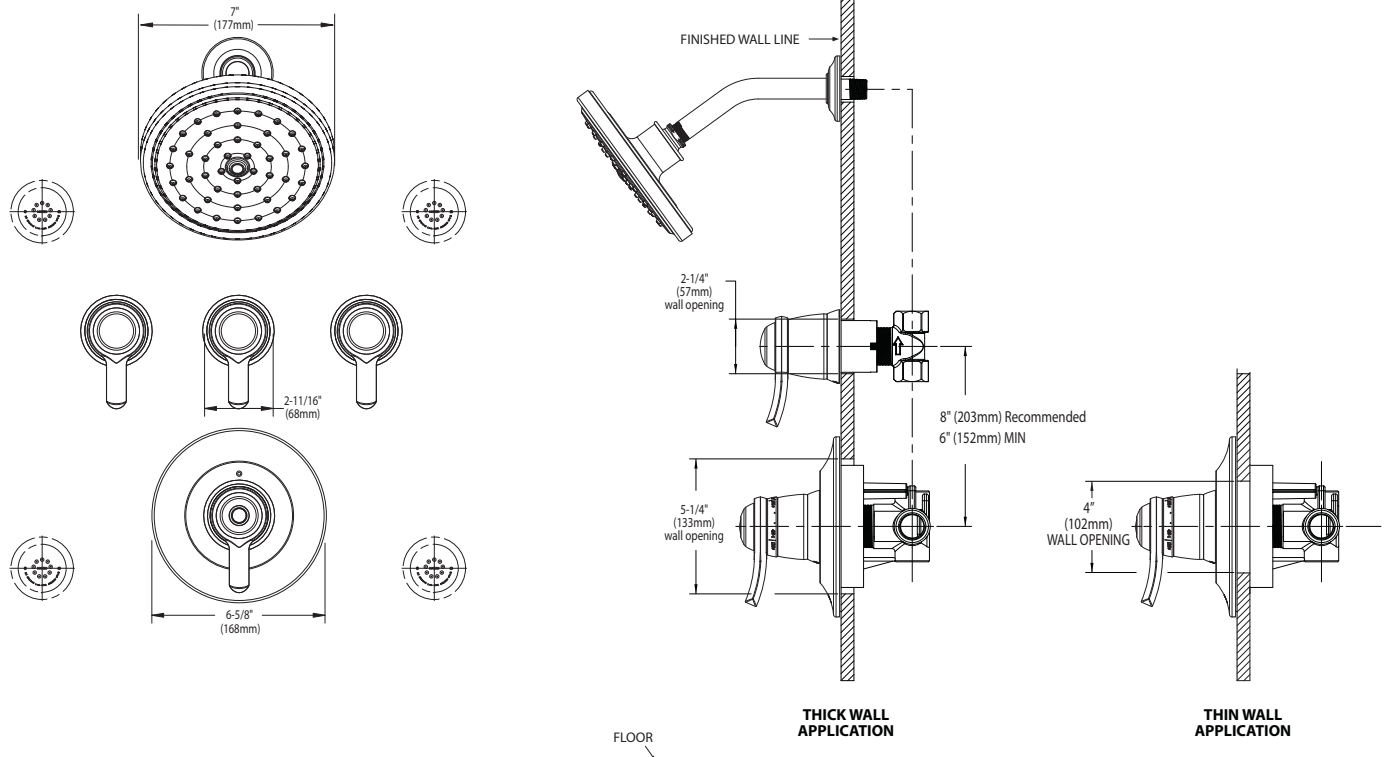


FINA™

ExactTemp® 3/4" Thermostatic Vertical Spa Trim

Models: TS51706 series

Valves: S936 - thermostatic
S956 - volume



CRITICAL DIMENSIONS

(DO NOT SCALE)


DESCRIPTION

- Metal construction with various finishes identified by suffix
- For use with S956 3/4" volume control valve

OPERATION

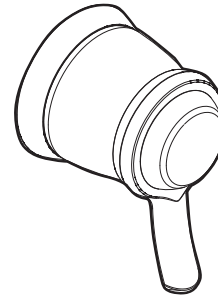
- Lever style handle operation

STANDARDS

- Third party certified to ASME A112.18.1/CSA B125.1 and all applicable requirements referenced therein
- ADA  for lever handle

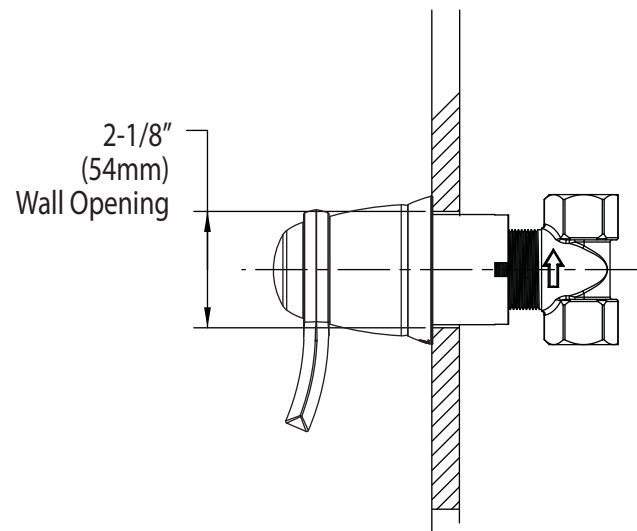
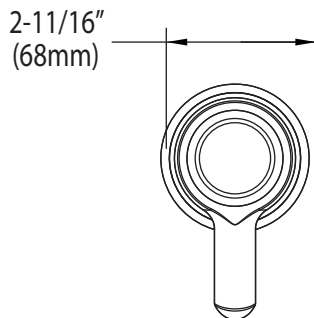
WARRANTY

- Lifetime limited warranty against finish defects to the original consumer purchaser
- 5 year warranty if used in commercial installations



Fina™
Volume Control Trim

Models: TS51704 Series
Valve: S956



CRITICAL DIMENSIONS

(DO NOT SCALE)



Buy it for looks. Buy it for life.®

Specifications

DESCRIPTION

- Metallic spray face and shell
- Brass swivel ball assembly
- Available in chrome plated, antique nickel, antique bronze, LifeShine® brushed bronze, LifeShine® brushed nickel, LifeShine® hammered nickel, nickel, oil rubbed bronze, LifeShine® polished brass, platinum, pewter or LifeShine® satine or wrought iron finishes

OPERATION

- Single spray function

FLOW

- Designed to deliver 1.75 gpm max (6.6 L/min) at 80 psi

STANDARDS

- Third party certified to ASME A112.18.1/CSA B125.1 and all applicable requirements referenced therein

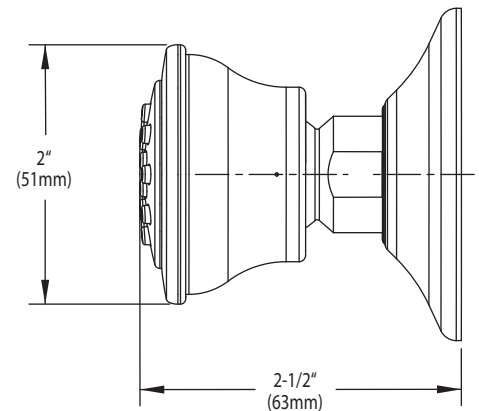
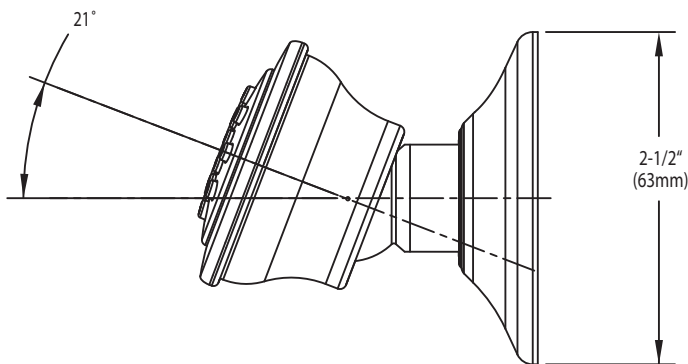
WARRANTY

- Warranted for one year against material or manufacturing defects

Small Single Function Body Spray

Models: A501 series

A501 Series



CRITICAL DIMENSIONS

(DO NOT SCALE)

DESCRIPTION

- Handheld shower available in various finishes identified by suffix.
- 69" double interlock spiral hose (metal)
- Vacuum breaker

OPERATION

- Single function

FLOW

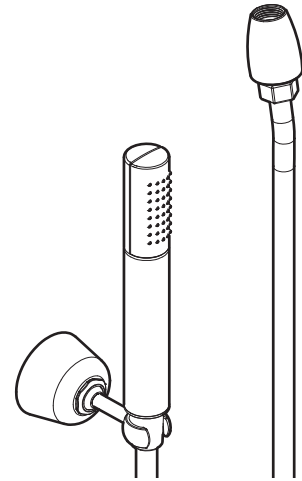
- Meets 2.5 gpm max (9.5 L/min)

STANDARDS

- Third party certified to ASME A112.18.1/CSA B125.1, and all applicable requirements referenced therein including ASSE 1014

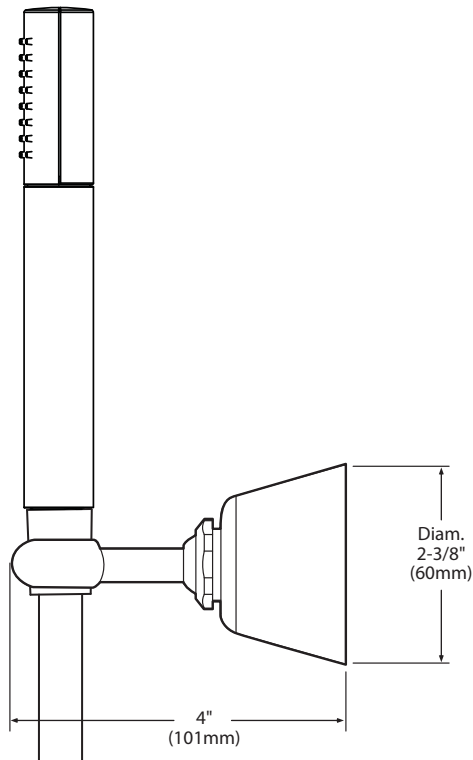
WARRANTY

- Lifetime limited warranty against material or manufacturing defects



FINA™
Handshower w/Bracket & Hose

Model: S11705 series



CRITICAL DIMENSIONS

(DO NOT SCALE)



Buy it for looks. Buy it for life.®

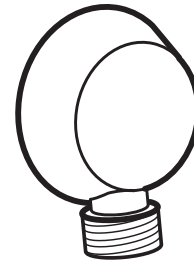
Specifications

DESCRIPTION

- Metal construction with chrome plated, antique nickel, antique bronze, LifeShine® brushed bronze, LifeShine® brushed nickel, LifeShine® hammered nickel, nickel, oil rubbed bronze, LifeShine® polished brass, platinum, pewter, LifeShine® satine, glacier or wrought iron finishes

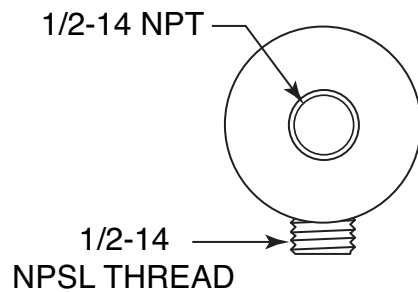
WARRANTY

- Warranted for one year against material or manufacturing defects

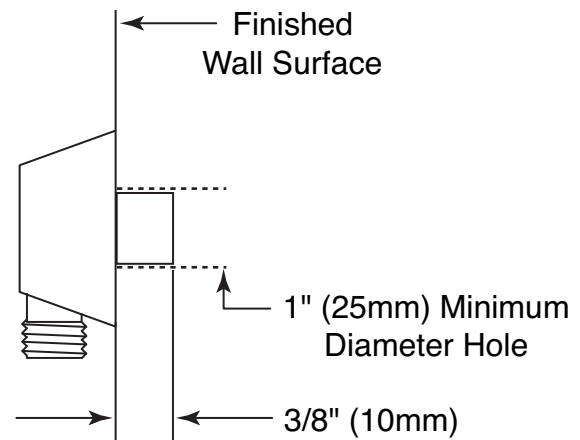


DROP ELL

Models: A725 series



BACK VIEW



SIDE VIEW

CRITICAL DIMENSIONS

(DO NOT SCALE)